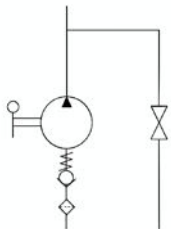




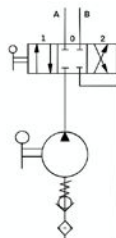
Hand Pumps

www.timalco.com.au

Single Acting - HPT



Double Acting - HPTD



- Cast Iron Body
- Rubber Shaft Protection
- White Zinc Plated Support Lever
- White Zinc Plated External Parts
- Oil Tank Mounting Kit Included

Hand Pumps - Single Acting - No Tank

Double action hand pump for single acting cylinder for fixing to tank

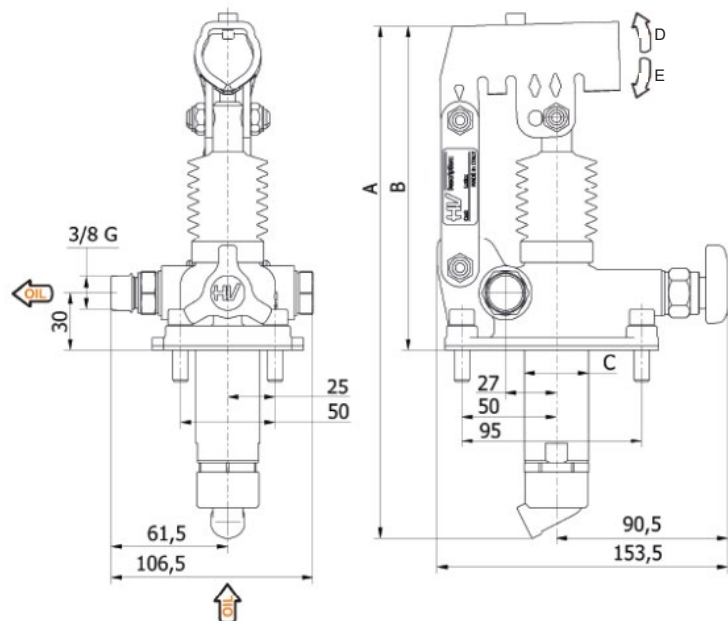
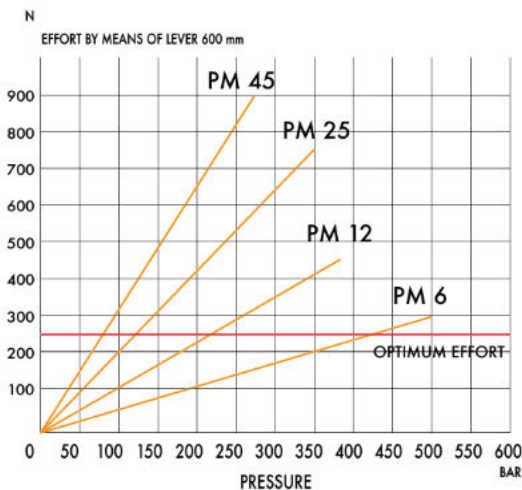
Part Number	Displacement	Pressure		A mm	B mm	C mm	D °	E °
		Optimal	Max					
HPT-12	12cc	220 Bar	380 Bar	253	166	34	26	31
HPT-25	25cc	120 Bar	350 Bar	273	172	34	30	30
HPT-45	45cc	80 Bar	280 Bar	283	172	40	45	33

Hand Pumps - Double Acting - No Tank

Double action hand pump for double acting cylinder for fixing to tank, with 4/3 directional control valve, closed center

HPTD-12	12cc	220 Bar	380 Bar	253	166	34	26	31
HPTD-25	25cc	120 Bar	350 Bar	273	172	34	30	30
HPTD-45	45cc	80 Bar	280 Bar	283	172	40	45	33

EFFORT DIAGRAM





sales@timalco.com.au
 vicsales@timalco.com.au
 nswsales@timalco.com.au



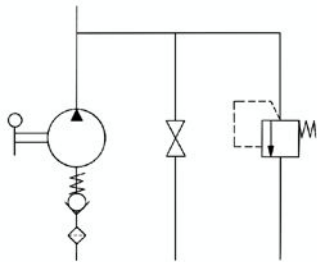
08 8262 4333
 03 9738 2040
 0484 529 912



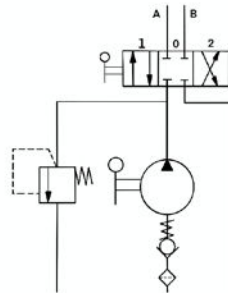
TIMALCO
HYDRAULICS

www.timalco.com.au

Single Acting - HPT
 (With Relief)



Double Acting - HPTD
 (With Relief)



- With Pressure Relief Valve
- Standard Setting: 100 Bar
- Cast Iron Body
- White zinc plated support lever
- Oil tank mounting kit included

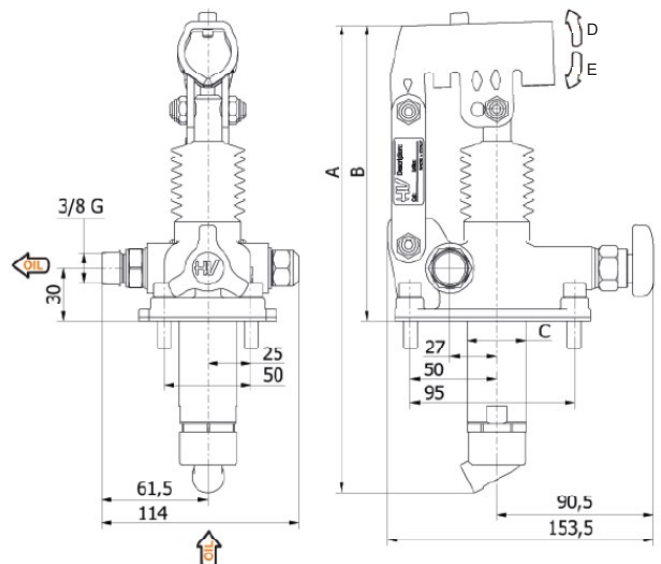
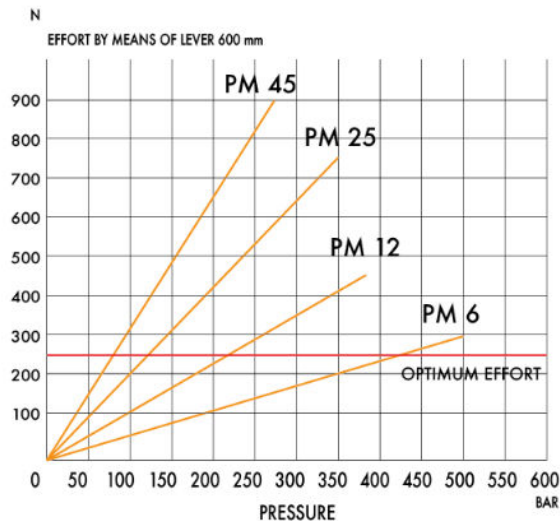
Hand Pumps - Single Acting - With Pressure Relief Valve - No Tank
 Double action hand pump for single acting cylinder for fixing to tank

Part Number	Displacement	Pressure		A mm	B mm	C mm	D °	E °
		Optimal	Max					
HPT-12-BYB	12cc	220 Bar	380 Bar	253	166	34	26	31
HPT-25-BYB	25cc	120 Bar	350 Bar	273	172	34	30	30
HPT-45-BYB	45cc	80 Bar	280 Bar	283	172	40	45	33

Hand Pumps - Double Acting - With Pressure Relief Valve - No Tank
 Double action hand pump for double acting cylinder for fixing to tank, with 4/3 directional control valve, closed centre

HPTD-12-BYB	12cc	220 Bar	380 Bar	253	166	34	26	31
HPTD-25-BYB	25cc	120 Bar	350 Bar	273	172	34	30	30
HPTD-45-BYB	45cc	80 Bar	280 Bar	283	172	40	45	33

EFFORT DIAGRAM





Tanks to Suit Hand Pumps
Steel, Breather Cap 1/4 G, Release Cap 1/4 G

Part Number	Size	A mm	B mm	C mm	D mm
HP-2	2 L	100	150	185	120
HP-3	3 L	100	150	255	120
HP-5	5 L	175	175	200	195
HP-7	7 L	175	175	275	195
HP-10	10 L	175	175	380	195

