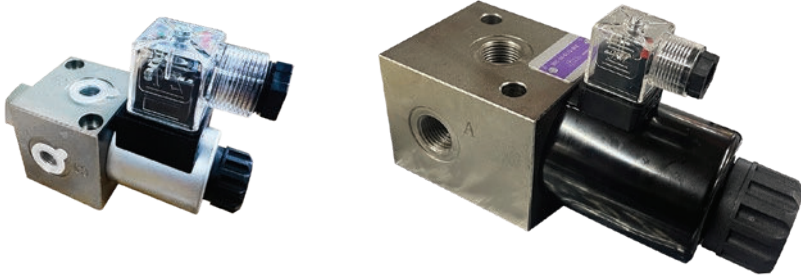


3 Port Selector Valves HVC



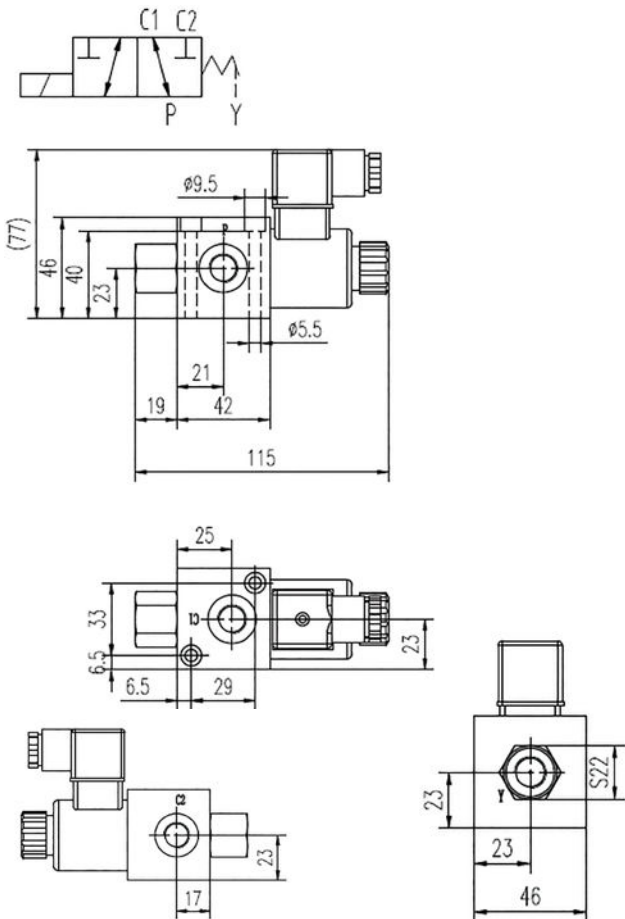
www.timalco.com.au



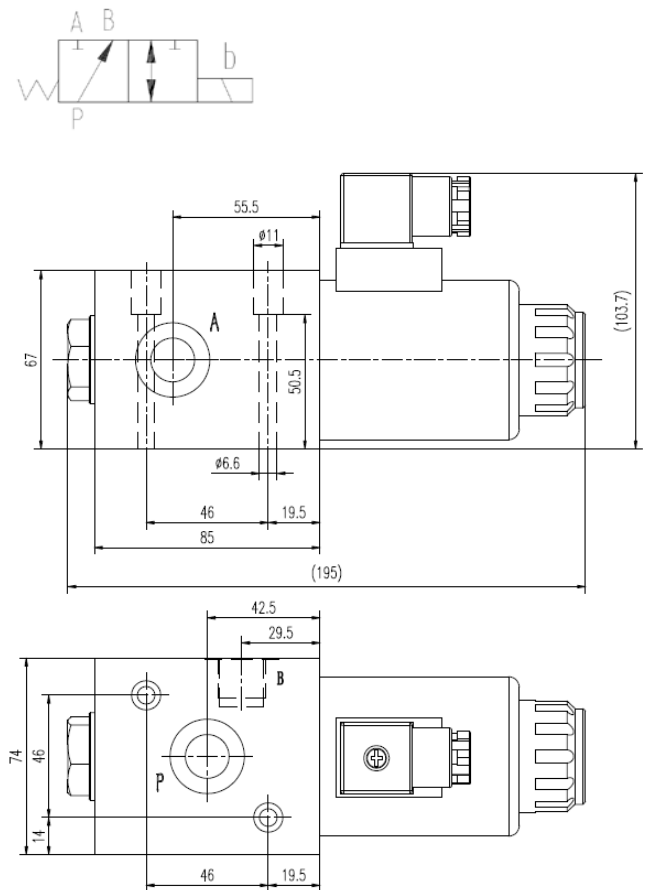
3 Port Selector Valves
1/4", 3/8" or 1/2" BSPP Ports
12 & 24VDC

Part Number	Ports	Max Flow	Max Pressure	Volts
HVC3-14-10-12VDC	1/4" BSPP	20 LPM	310 Bar	12VDC
HVC3-14-10-24VDC				24VDC
HVC3-38-10-12VDC	3/8" BSPP	60 LPM	210 Bar	12VDC
HVC3-38-10-24VDC				24VDC
HVC3-12-10-12VDC	1/2" BSPP	80 LPM	210 Bar	12VDC
HVC3-12-10-24VDC				24VDC

Dimensions 1/4



Dimensions 3/8 & 1/2



6 Port Selector Valves HYE



TIMALCO HYDRAULICS

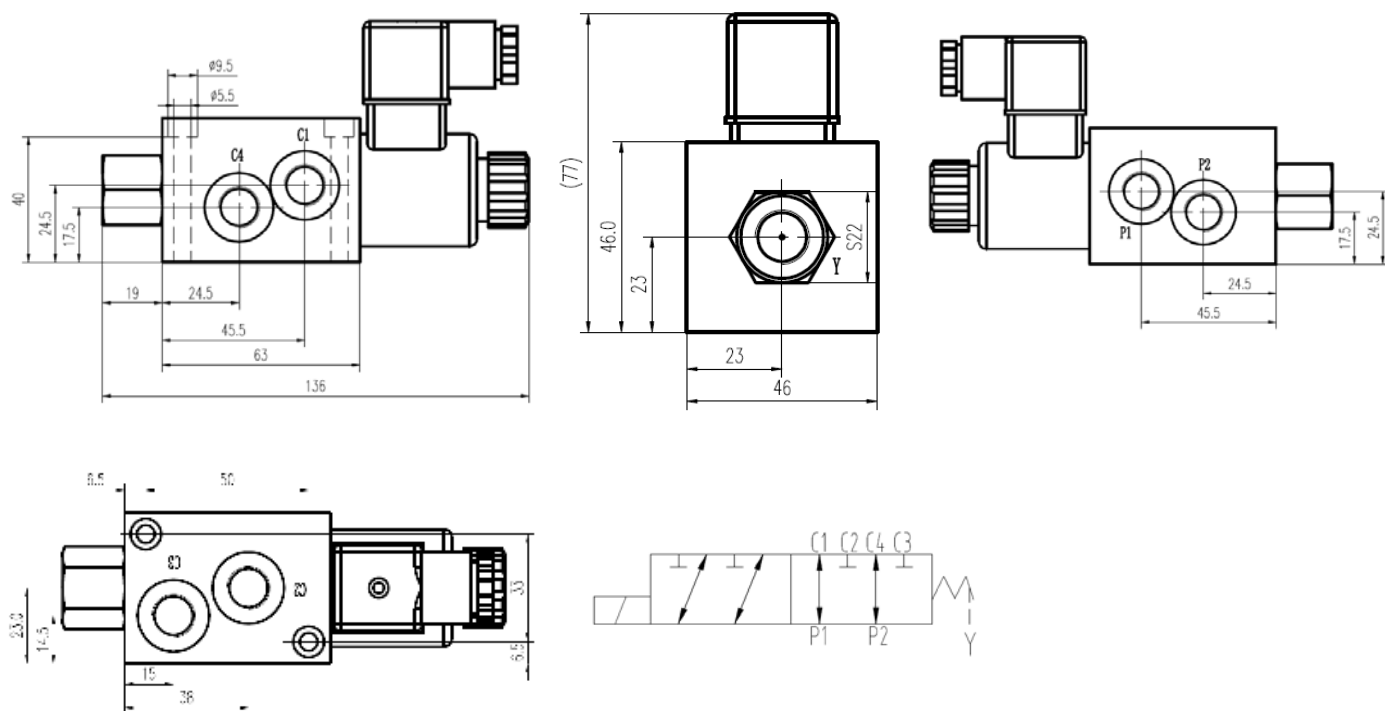
www.timalco.com.au



Single or Stackable
6 Port Selector Valves
1/4", 3/8" or 1/2" BSPP Ports
12 & 24VDC

Part Number	Ports	Max Flow	Max Pressure	Volts
HVC6-14-10-12VDC	1/4" BSPP	25 LPM	310 Bar	12VDC
HVC6-14-10-24VDC				24VDC
HYE6238-D12	3/8" BSPP	40 LPM	250 Bar	12VDC
HYE6238-D24				24VDC
HYE6212-D12	1/2" BSPP	60 LPM	250 Bar	12VDC
HYE6212-D24				24VDC

Dimensions	P	C1	C2	Y
HVC6-14			G1/4	





Adl: 08 8262 4333
 Mel: 03 9738 2040
 Syd: 0484 529 912



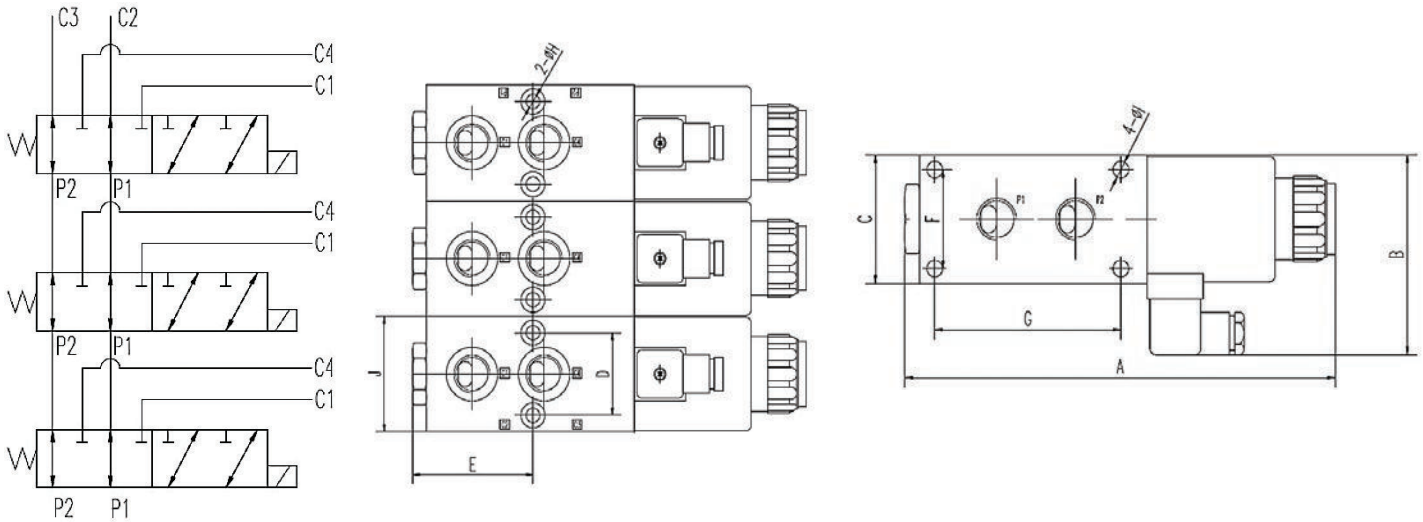
Adl: sales@timalco.com.au
 Mel: vicsales@timalco.com.au
 Syd: nswsales@timalco.com.au



TIMALCO
HYDRAULICS

www.timalco.com.au

Dimensions	A	B	C	D	E	F	G	H	I	J
HYE6238	175.2	84	52	36	57.5	38	42	6.4	6	52
HYE6212	229	100.6	65	46	70	50	99	8	8.4	65



Specifications

	Max Pressure	Max Flow Rate	Hydraulic Fluid	Fluid Temperature Range	Recommended Viscosity
HYE6238	250 Bar	40 LPM	Mineral Oil, Phosphate Ester	-20 ~ 80°C	10 ~ 400 ² mm
HYE6212		60 LPM			