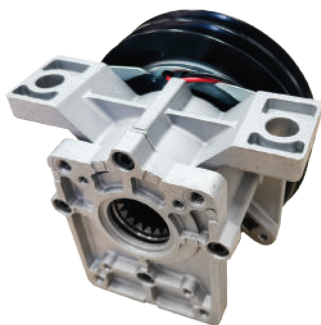


Electromechanical Clutches

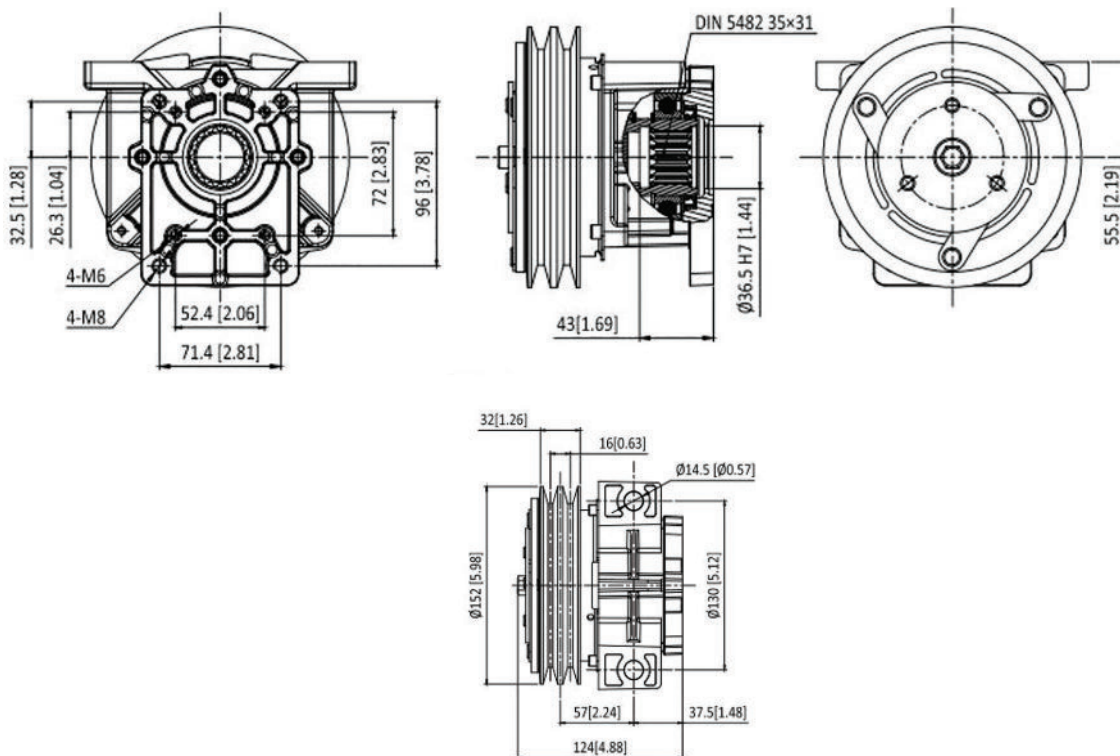


TIMALCO HYDRAULICS

www.timalco.com.au



Part Number	Electric Absorption	Resistance (Ω)		Current (A)		Power	
		20°C	120°C	20°C	120°C	20°C	120°C
KRS30901	12VDC	4	5.6	3.33	2	40	24
KRS30903	24VDC	20	28	1.26	0.77	30.3	18.18



Nominal Torque	78Nm		Connection Time	25 m/sec
Static Torque	125Nm		Disconnection Time	40 m/sec
Dynamic Torque	85Nm	At 500 rpm	Minimum time between two connection	20 sec
	70Nm	At 1000 rpm		
	42Nm	At 1500 rpm		
	35Nm	At 2000 rpm	Max Speed	5000 rpm
	27Nm	At 2500 rpm	Weight	5.0 Kg
	25Nm	At 3000 rpm		