

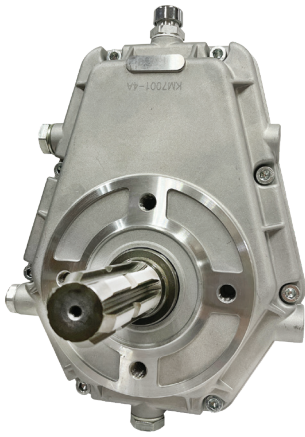
# Gear Box 3:1 Aluminium 700 Series



# TIMALCO HYDRAULICS

www.timalco.com.au

KM7001-4A



KM7002-4A



KM7004-4A



Part Number	Input Type	Pump Mount
KM7001-4A	Male 1 3/8"	Group 2/3
KM7002-4A	Female 1 3/8"	
KM7004-4A	Female 6T + Lock 1 3/8"	

Input Torque (Nm)	Output Torque (Nm)	Input Speed (rpm)	Output Speed (rpm)	Transmission Ratio	Power (KW)	Weight (Kgs)
490	160	540	1620	3:1	20	9.7

### Gear Box Ordering Code

KM		700	1		4		A		*
KM	Speed Increaser Aluminium Body	600 Series	1	PTO Input Male 1 3/8" DIN 9611	4	Transmission Ratio 1:3.0	A	Mounting Position Standard	Flange: Omit for Group 2 & 3 Pumps  T = SAE B (96101) W = SAE A (96100)
KMT	Speed Increaser Cast Iron Body	700 Series	2	PTO Input Female 1 3/8" DIN 9611					
			4	PTO Input Female 1 3/8" DIN 9611 + Locking					



sales@timalco.com.au  
vicsales@timalco.com.au



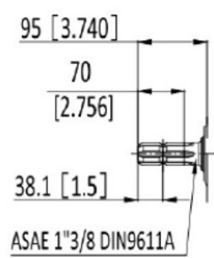
08 8262 4333  
03 9738 2040



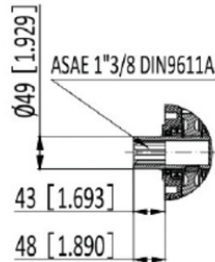
**TIMALCO**  
**HYDRAULICS**

www.timalco.com.au

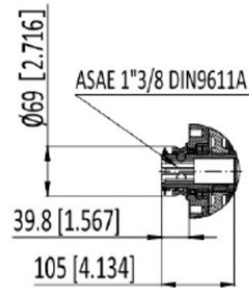
P.T.O Input



Male Shaft

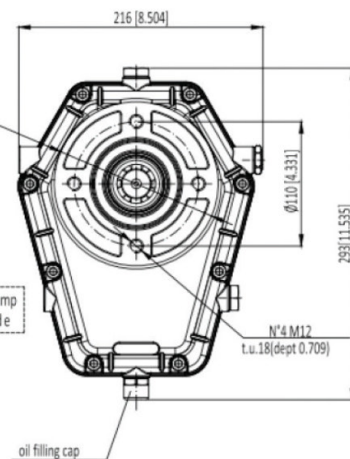
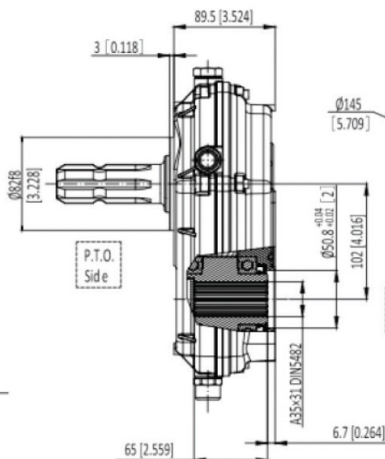
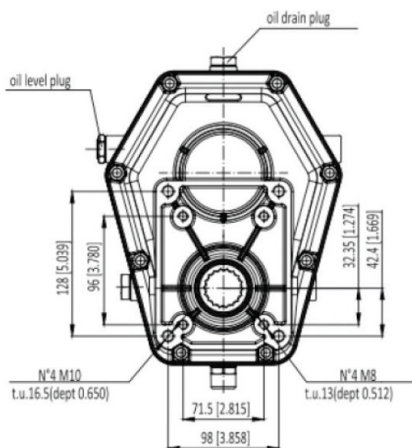


Female Shaft



Female Shaft  
with Locking

Dimensional Views: Back, Front, Side





sales@timalco.com.au  
vicsales@timalco.com.au





08 8262 4333  
03 9738 2040



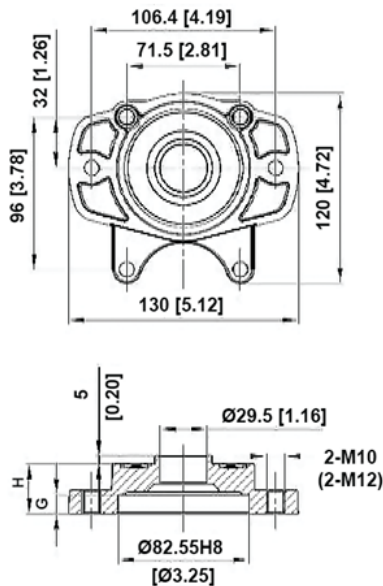
**TIMALCO**  
**HYDRAULICS**

www.timalco.com.au

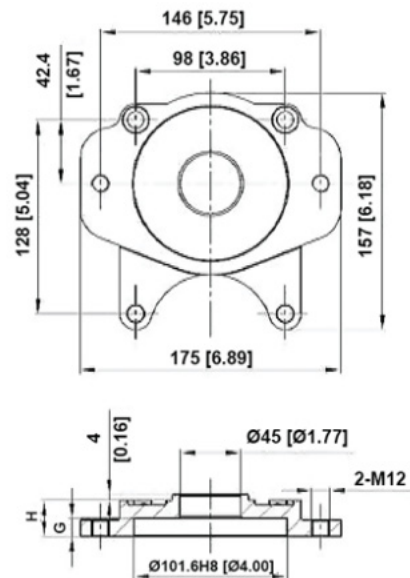
## Flanges

	Part Number	Description
	KM60100	KM Gear Box to SAE A 2 Bolt Mount Pump
	KM96101	KM Gear Box to SAE B 2 Bolt Mount Pump








### KM60100 Flange Dimensions



### KM96101 Flange Dimensions



## Couplings - Order Separately from Gear Boxes

	Part Number	Description
	KM10005	KM600 to Grp 2 1:8 Taper Pump
	KM10007	KM25603 Support to Grp 2 1:8 Taper Pump
	KM10012	KM700 to Grp 2 1:8 Taper
	KM10014	KM700 to Grp 3 1:8 Taper Pump
	KM15002	KM700 to SAE B 7/8" Str Keyed Pump
	KM35505	KM700 to SAE B 13T Splined Pump
	KM35517	KM600 to SAE A 9T Splined Pump