

Gear Box 3:1 Aluminium 600 Series



TIMALCO HYDRAULICS

www.timalco.com.au

KM6001-4A



KM6002-4A



KM6004-4A



Part Number	Input Type	Pump Mount
KM6001-4A	Male 1 3/8"	Group 2/3
KM6002-4A	Female 1 3/8"	
KM6004-4A	Female 6T + Lock 1 3/8"	

Input Torque (Nm)	Output Torque (Nm)	Input Speed (rpm)	Output Speed (rpm)	Transmission Ratio	Power (KW)	Weight (Kgs)
180	55	540	1620	3:1	10	5.8

Gear Box Ordering Code

KM		600	1		4		A		*
KM	Speed Increaser Aluminium Body	600 Series	1	PTO Input Male 1 3/8" DIN 9611	4	Transmission Ratio 1:3.0	A	Mounting Position Standard	Flange: Omit for Group 2 & 3 Pumps T = SAE B (96101) W = SAE A (96100)
KMT	Speed Increaser Cast Iron Body	700 Series	2	PTO Input Female 1 3/8" DIN 9611					
			4	PTO Input Female 1 3/8" DIN 9611 + Locking					



sales@timalco.com.au
vicsales@timalco.com.au



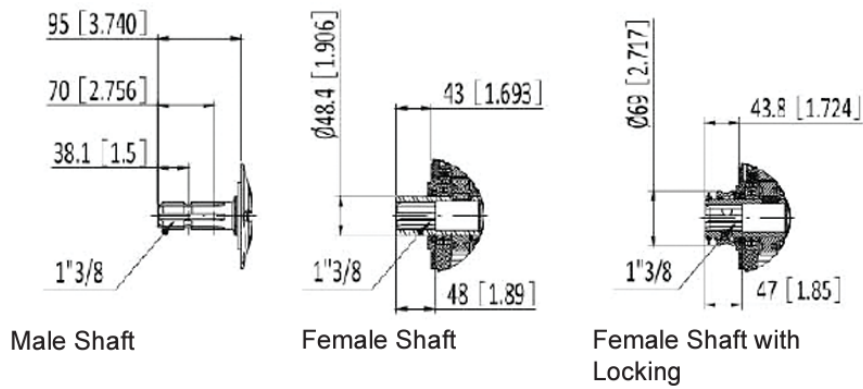
08 8262 4333
03 9738 2040



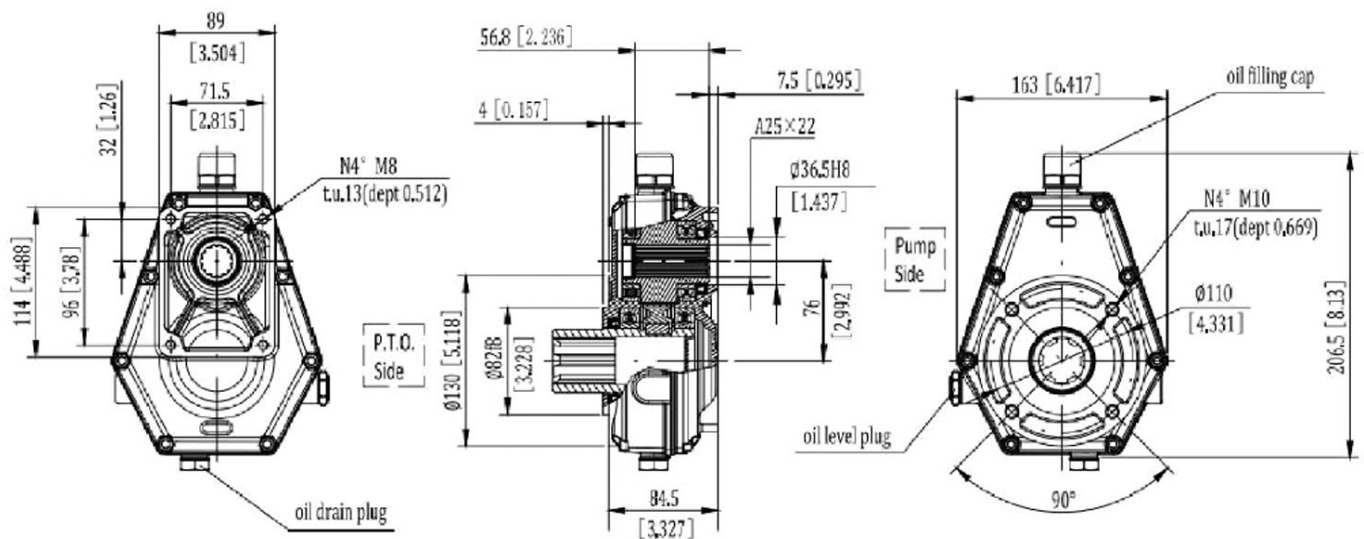
TIMALCO
HYDRAULICS

www.timalco.com.au

P.T.O Input



Dimensional Views: Back, Front, Side





sales@timalco.com.au
vicsales@timalco.com.au





08 8262 4333
03 9738 2040



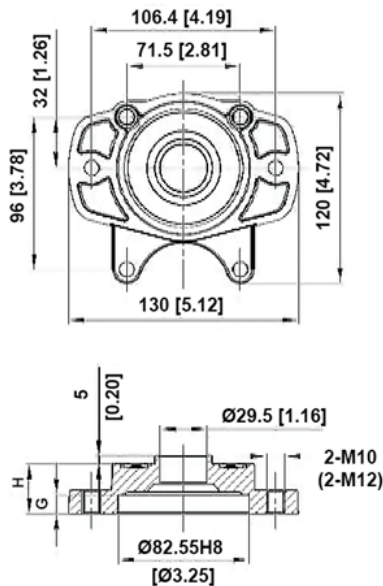
TIMALCO
HYDRAULICS

www.timalco.com.au

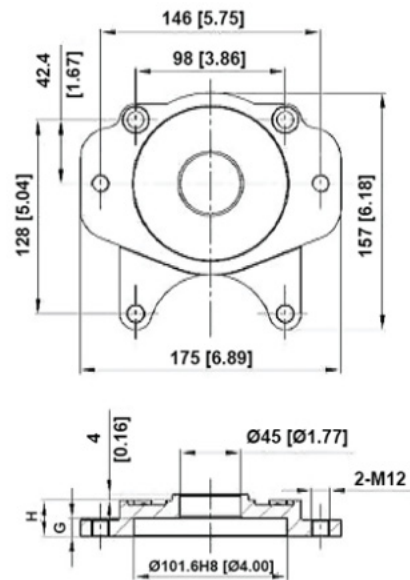
Flanges

	Part Number	Description
	KM60100	KM Gear Box to SAE A 2 Bolt Mount Pump
	KM96101	KM Gear Box to SAE B 2 Bolt Mount Pump








KM60100 Flange Dimensions



KM96101 Flange Dimensions



Couplings - Order Separately from Gear Boxes

	Part Number	Description
	KM10005	KM600 to Grp 2 1:8 Taper Pump
	KM10007	KM25603 Support to Grp 2 1:8 Taper Pump
	KM10012	KM700 to Grp 2 1:8 Taper
	KM10014	KM700 to Grp 3 1:8 Taper Pump
	KM15002	KM700 to SAE B 7/8" Str Keyed Pump
	KM35505	KM700 to SAE B 13T Splined Pump
	KM35517	KM600 to SAE A 9T Splined Pump