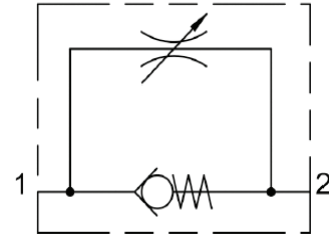
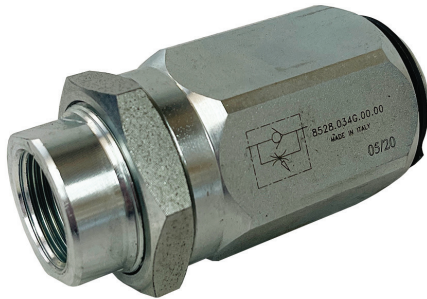


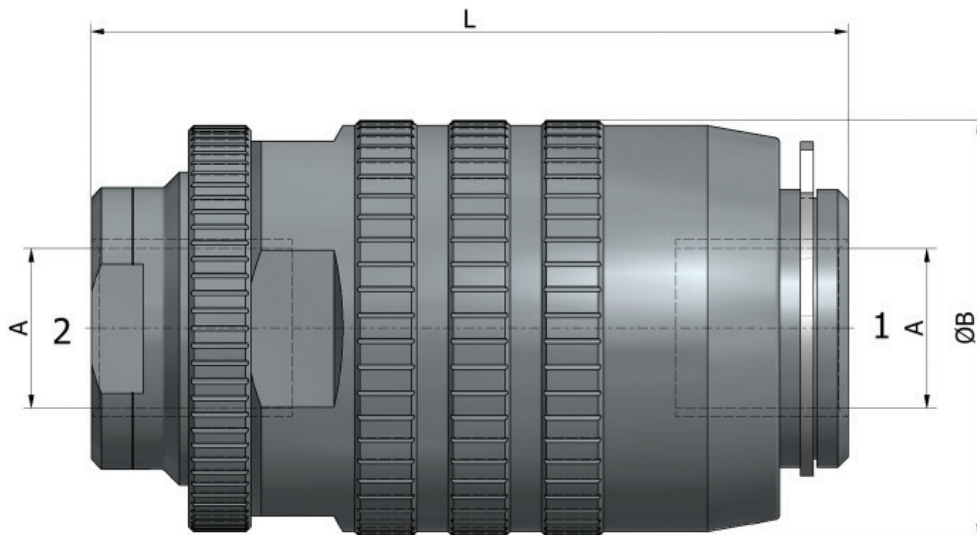
Barrel Inline Flow Control Valve with Reverse Free Flow VRFU



www.timalco.com.au



Part Number	Ports BSP	Max Flow L/min	Max Pressure Bar	B mm	L mm	Weight Kgs
VRFU-014G	1/4"	15	350	34	62	0.28
VRFU-038G	3/8"	30	350	39	73	0.46
VRFU-012G	1/2"	45	350	44	83	0.66
VRFU-034G	3/4"	85	300	54	102	1.1
VRFU-100G	1"	150	250	65	124.5	1.9
VRFU-114G	1 1/4"	200	250	75	144	2.95



Technical Data

Mineral Oil	ISO 6743/4 (DIN 51524)
Oil Viscosity	15-250mm ² /s (15 to 250cSt)
Filtration	15 µm
Oil Temperature	-20°C +80°C (-4°F +122°F)
Ambient Temperature	-20°C +50°C (-4°F +122°F)