

VCC Flow Control Valves



TIMALCO HYDRAULICS

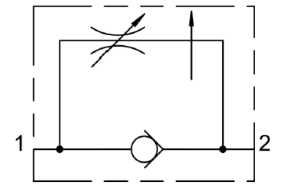
www.timalco.com.au



Pressure Compensated Flow Control Valves

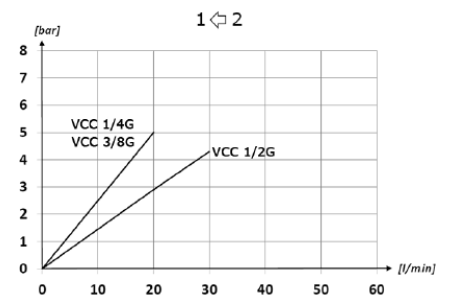
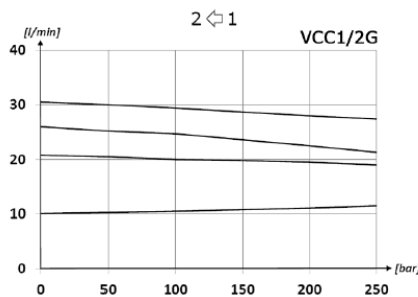
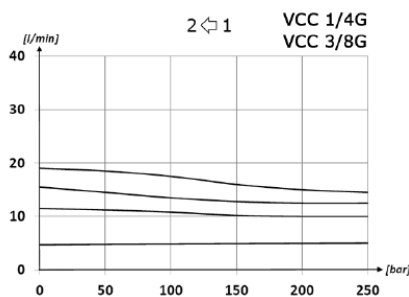
Inline with reverse free flow

Allows set flow regardless of pressure variations.



Part Number	Max Flow	Max Pressure	Ports
VCC014G	10 LPM	250 bar	1/4" BSPP
VCC038G	18 LPM		3/8" BSPP
VCC012G	33 LPM		1/2" BSPP
Technical Data			
Mineral Oil	ISO 6743/4		
Oil Viscosity	15-250 mm ² /s		
Oil Temperature	-20°C +80°C		
Ambient Temperature	-20°C + 50°C		
Filtration 15µm			

Performance Graphs



08 8262 4333

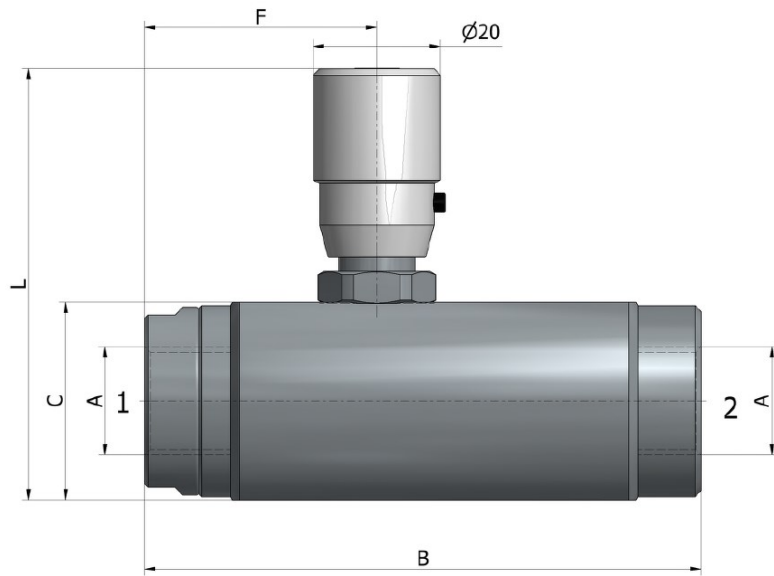


Timalco Hydraulics



timalcohyd

Dimensions



	B Mm	C Mm	F Mm	L Mm
014G	87.5	31	36.5	68
038G	87.5	31	36.5	68
012G	107.5	36	46	73

