

DCV20 Mobile Directional Valves



TIMALCO HYDRAULICS

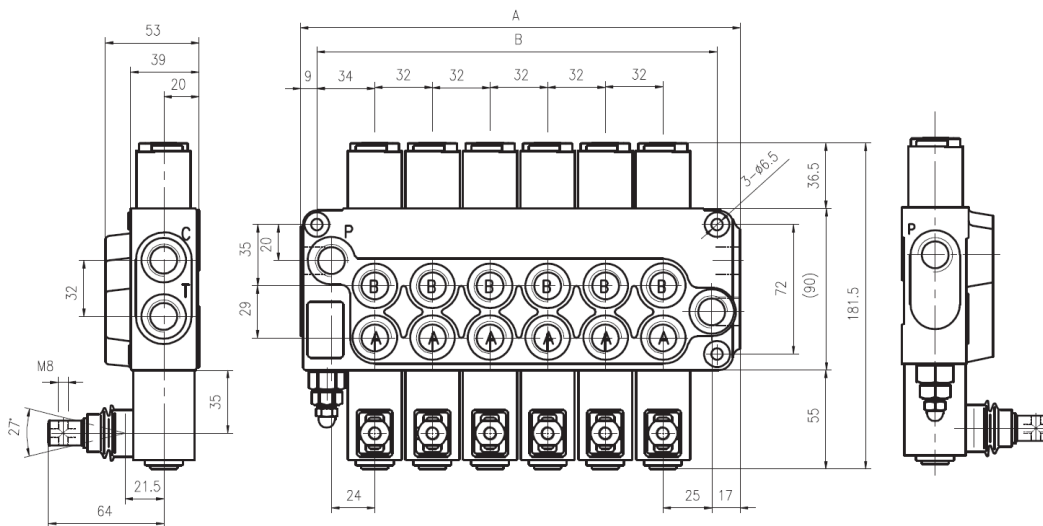
www.timalco.com.au



Manually Operated Directional Control
Valves
Double Acting – Spring Centred
35LPM
350 Bar
Common Load Hold Check

Part Number	Max Flow	Max Pressure	Ports
DCV20/1-E7(200)-S1C1A1-U1-G06	35 LPM	350 Bar	3/8" BSPP
DCV20/2-E7(200)-S1C1A1-U1-G06			
DCV20/3-E7(200)-S1C1A1-U1-G06			
DCV20/4-E7(200)-S1C1A1-U1-G06			
DCV20/5-E7(200)-S1C1A1-U1-G06			
DCV20/6-E7(200)-S1C1A1-U1-G06			

Dimensions



Type	Dimensions		Weight (Kg)
	A	B	
DCV 20/1	85	62	3.3
DCV 20/2	117	94	4.4
DCV 20/3	149	126	5.5
DCV 20/4	181	158	6.6
DCV 20/5	213	190	7.7
DCV 20/6	245	222	8.8



08 8262 4333



Timalco Hydraulics



timalcohyd