

THM Cetop 5 Manifolds



TIMALCO HYDRAULICS

Parallel

www.timalco.com.au



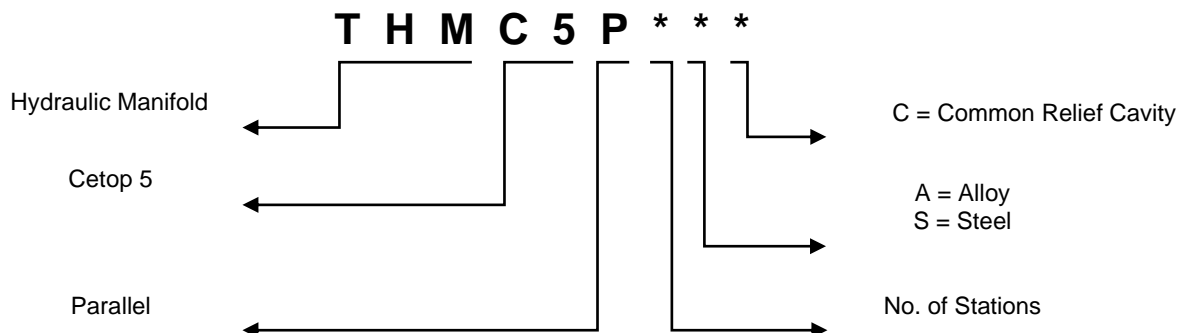
LPRS2-10 Pilot Operated Relief Valve

Alloy Parallel with Plugged Relief Cavity

Part Number	Ports		Description	L Dim mm	L1 Dim mm
	P & T	A & B			
THMC5P1AC	3/4" BSPP	1/2" BSPP	Single Station	108	90
THMC5P2AC	3/4" BSPP	1/2" BSPP	2 Station	191	173
THMC5P3AC	3/4" BSPP	1/2" BSPP	3 Station	273	255
THMC5P4AC	3/4" BSPP	1/2" BSPP	4 Station	355	337
THMC5P5AC	3/4" BSPP	1/2" BSPP	5 Station	437	419
THMC5P6AC	3/4" BSPP	1/2" BSPP	6 Station	519	501

Steel Parallel with Plugged Relief Cavity

Part Number	Ports		Description	L Dim mm	L1 Dim mm
	P & T	A & B			
THMC5P1SC	3/4" BSPP	1/2" BSPP	Single Station	108	90
THMC5P2SC	3/4" BSPP	1/2" BSPP	2 Station	191	173
THMC5P3SC	3/4" BSPP	1/2" BSPP	3 Station	273	255
THMC5P4SC	3/4" BSPP	1/2" BSPP	4 Station	355	337
THMC5P5SC	3/4" BSPP	1/2" BSPP	5 Station	437	419
THMC5P6SC	3/4" BSPP	1/2" BSPP	6 Station	519	501



08 8262 4333

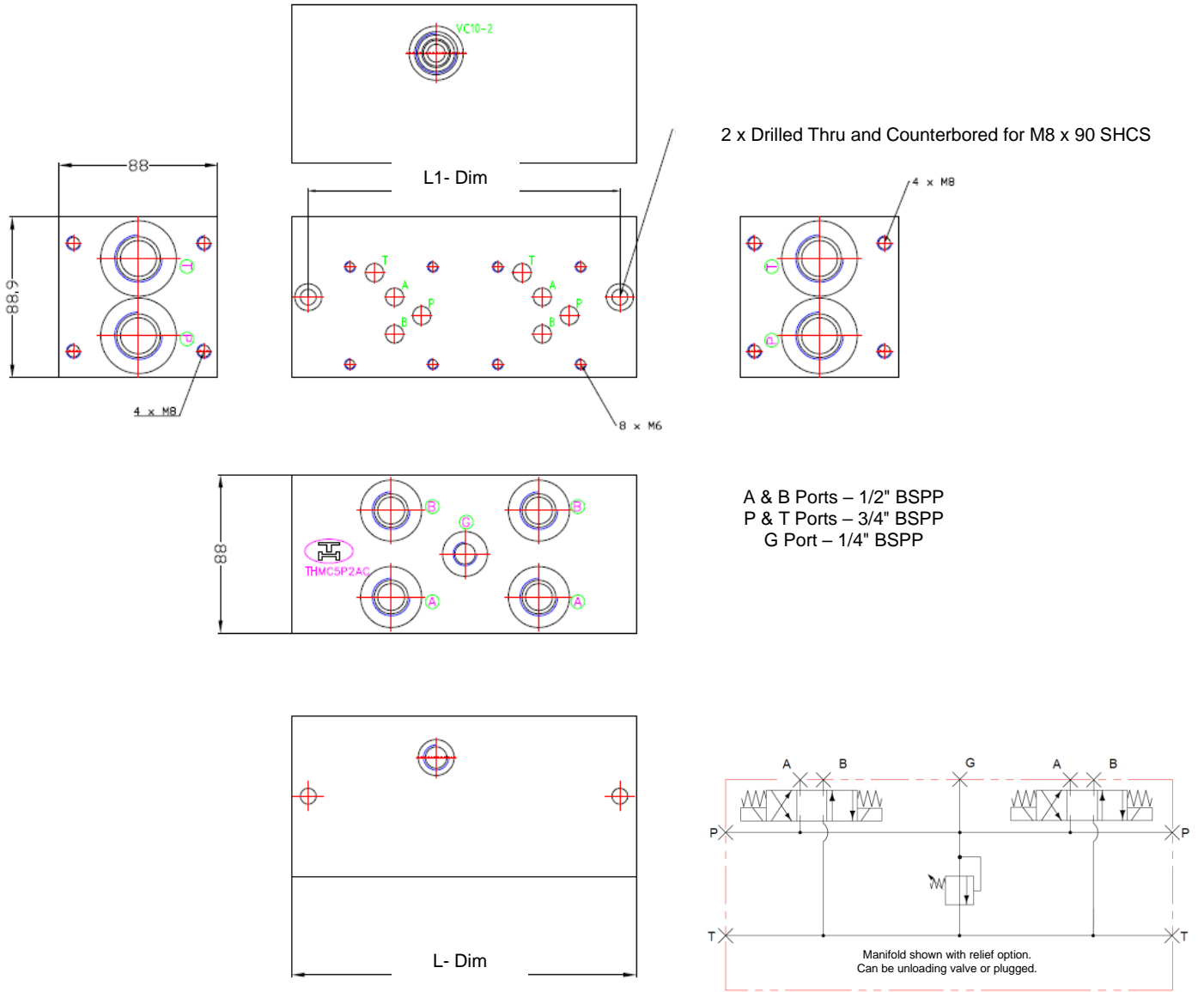


Timalco Hydraulics

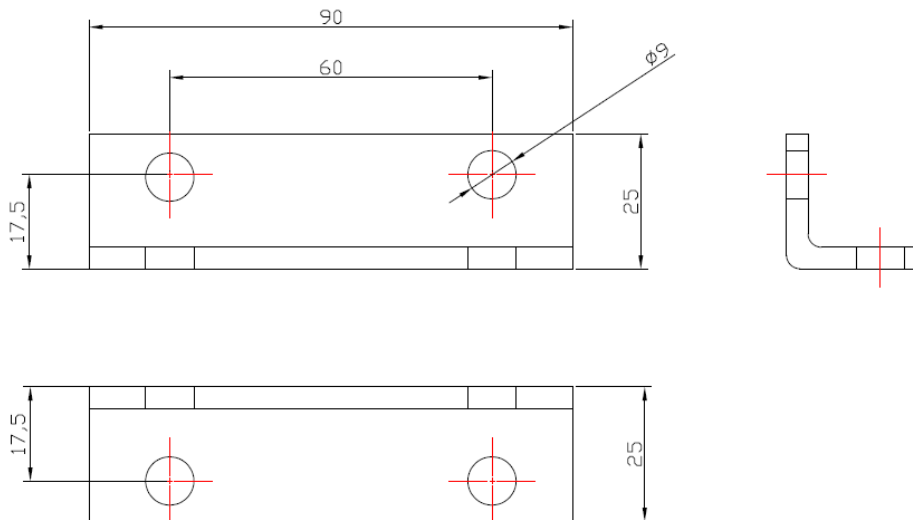


timalcohyd

Manifold Schematic



Manifold Foot Bracket



08 8262 4333



Timalco Hydraulics



timalcohyd