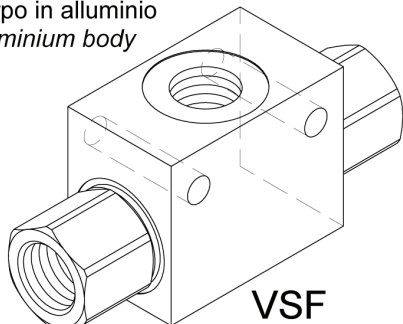
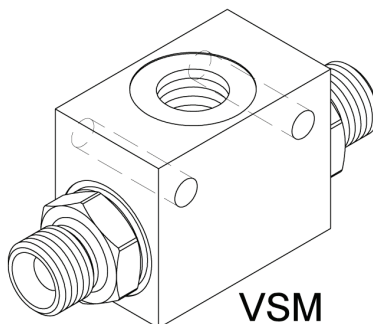


Valvola selettiva
Shuttle valve
mod. VSF / VSM

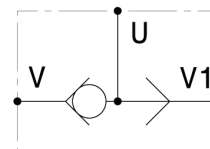
Corpo in alluminio
Aluminium body



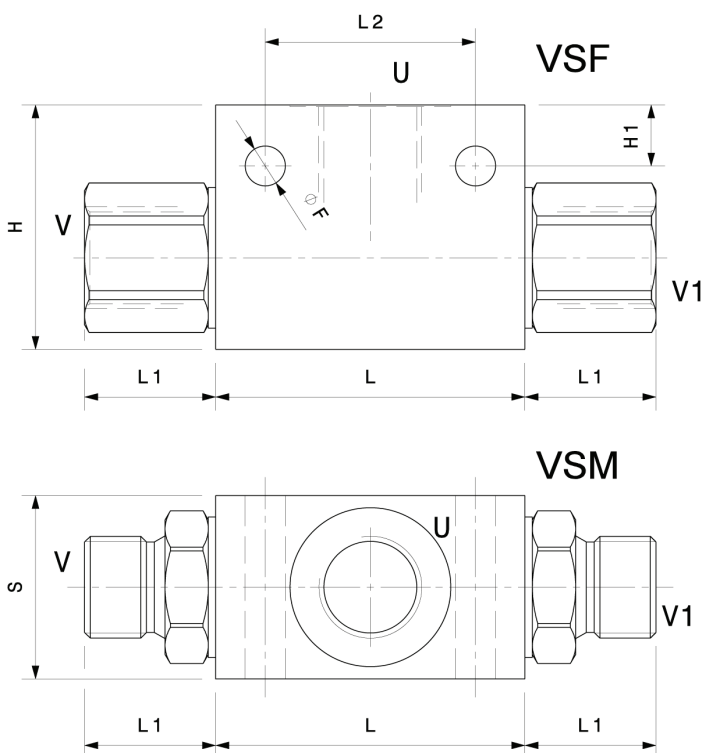
VSF



VSM



Modello Type	V V1 U	Portata massima Max Flow	Pressione massima Max pressure
VSF-14	1/4" GAS	20 l/min 5.3 gpm	350 bar 5000 psi
VSF-38	3/8" GAS	40 l/min 10.5 gpm	350 bar 5000 psi
VSF-12	1/2" GAS	60 l/min 16 gpm	350 bar 5000 psi
VSF-34	3/4" GAS	100 l/min 26 gpm	280 bar 4000 psi
VSM-14	1/4" GAS	20 l/min 5.3 gpm	350 bar 5000 psi
VSM-38	3/8" GAS	40 l/min 10.5 gpm	350 bar 5000 psi
VSM-12	1/2" GAS	60 l/min 16 gpm	350 bar 5000 psi
VSM-34	3/4" GAS	100 l/min 26 gpm	280 bar 4000 psi



Dati e tarature ottenuti usando olio con viscosità 30 cSt a 50°C
Performances and calibrations are carried out by using hydraulic oil with 30 cSt viscosity at 50°C

Viscosità consigliate Recommended viscosity	10 ÷ 420 cSt
Temperature di lavoro Working temperature	-20 ÷ +90 °C
Filtrazione assoluta Absolute filtration	25 µ

Sigla di ordinazione / Ordering code

VSM38

Modello
Type

Dimensioni Dimensions	L	L1	L2	H	H1	S	F
VSF-14	40	33	27	40	6	30	6.5
VSF-38	50	21	34	40	10	30	6.5
VSF-12	60	28	40	50	10	30	6.5
VSF-34	60	27	45	60	10	40	8.5
VSM-14	40	10	27	40	6	30	6.5
VSM-38	50	21	34	40	10	30	6.5
VSM-12	60	26	40	50	10	30	6.5
VSM-34	60	30	45	60	10	40	8.5

I dati non sono impegnativi, CBF si riserva di apportare modifiche senza preavviso.
The specifications are not binding, CBF reserves the right to introduce modifications without notice.