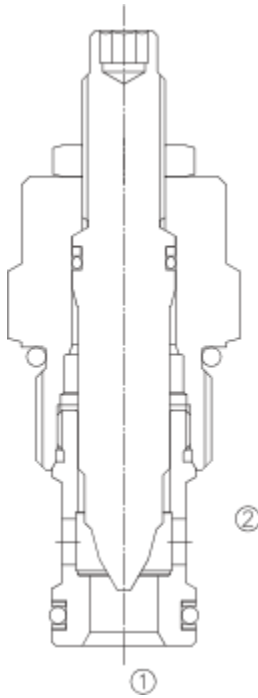


LNV2-12

节流阀

Adjustable, Cartridge Needle Valve



OPERATION

The valve increases its orifice value from fully closed to fully open with Counterclockwise adjustment rotation.

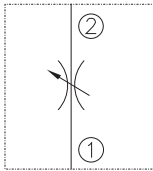
逆时针调节节流杆时，节流阀增大节流孔，流量逐渐增大，从全关闭到全打开。

FEATURES

特性

- Hardened poppet and seat for long life. 长寿命的阀。
- Full range of adjustments. 调节范围大。
- Adjustment may be locked in place. 调压杆可锁定住。
- Positive shut-off. 可完全关闭。
- Industry common cavity. 工业通用插孔。
- Compact size. 紧凑的结构。

SYMBOL



SPECIFICATIONS

技术参数

Operating Pressure(工作压力): 250 Bar

Flow(流量): See PRESSURE DROP VS.FLOW graph.

Temperature(温度): -22°F to +250°F (-30°C to +120°C)

Recommended Filtration : Critical Application - ISO 16/12

(推荐的过滤网): Non-Critical Application - ISO 19/15

Fluids(流体): Mineral-based fluids.

For other fluid compatibility, consult factory.

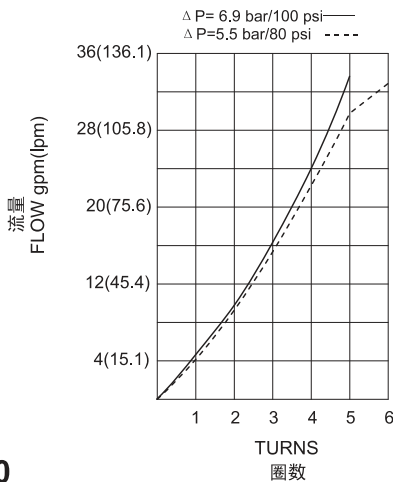
Cavity(插孔): 12-2 ,see page 364

Body Material(阀块材料): Anodized 6061T6 aluminum

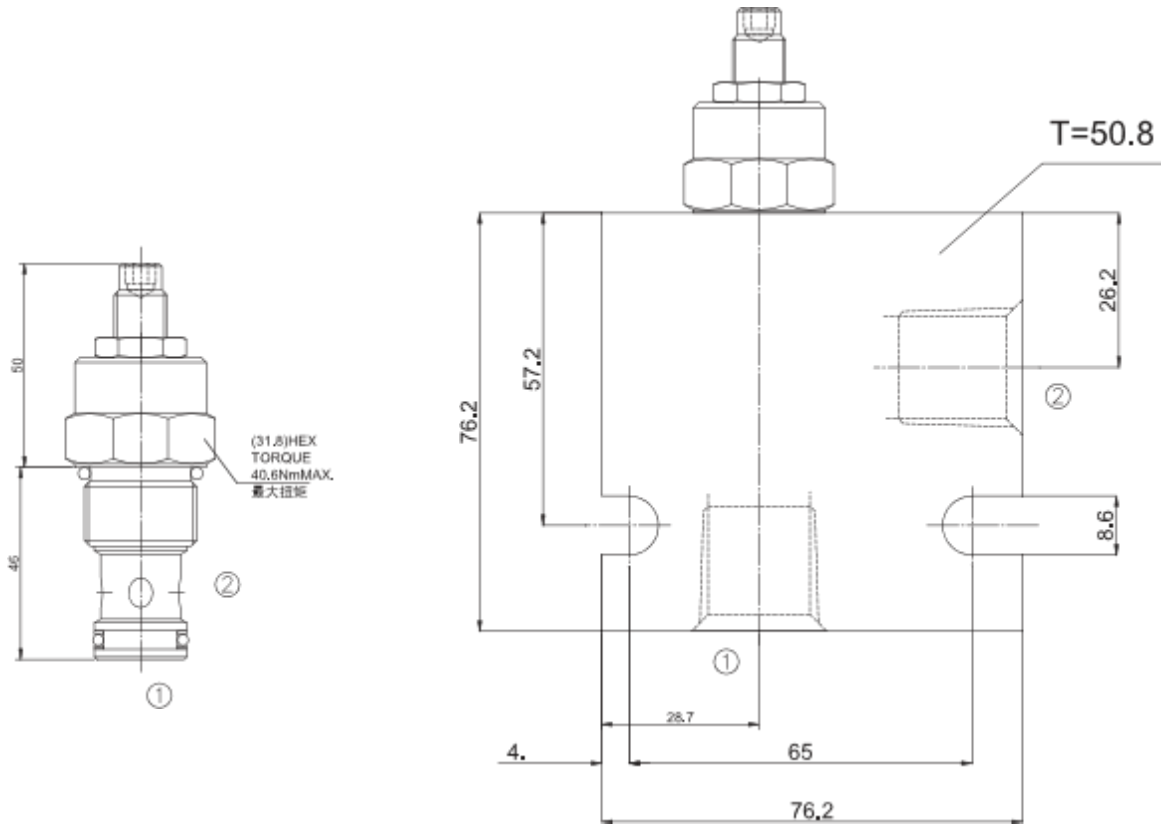
Alloy rated at 207 Bar

6061-T6铝，允许使用最大压力207 Bar。

PRESSURE DROP VS. FLOW



INSTALLATION DIMENSIONS



Unit=Millimeters

TO ORDER

