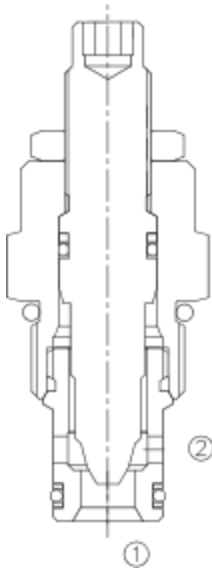


## LNV2-10

### 节流阀

### Adjustable, Cartridge Needle Valve



#### OPERATION

The valve increases its orifice value from fully closed to fully open with Counterclockwise adjustment rotation.

逆时针调节节流杆时，节流阀增大节流孔，流量逐渐增大，从全关闭到全打开。

#### FEATURES

##### 特性

- Hardened poppet and seat for long life. 长寿命的阀。
- Full range of adjustments. 调节范围大。
- Adjustment may be locked in place. 调压杆可锁定住。
- Positive shut-off. 可完全关闭。
- Industry common cavity. 工业通用插孔。
- Compact size. 紧凑的结构。

#### SPECIFICATIONS

##### 技术参数

**Operating Pressure(工作压力):** 250 Bar

**Flow(流量):** See PRESSURE DROP VS.FLOW graph.

**Temperature(温度):** -22°F to +250°F(-30°C to +120°C)

**Recommended Filtration:** Critical Application - ISO 16/12  
(推荐的过滤网): Non-Critical Application - ISO 19/15

**Fluids(流体):** Mineral-based fluids.

For other fluid compatibility, consult factory.

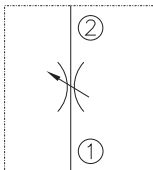
**Cavity(插孔):** 10-2, see page 363

**Body Material(阀块材料):** Anodized 6061T6 aluminum

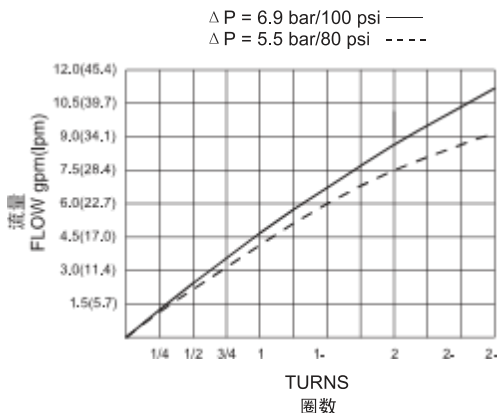
Alloy rated at 207 Bar

6061-T6铝，允许使用最大压力207 Bar。

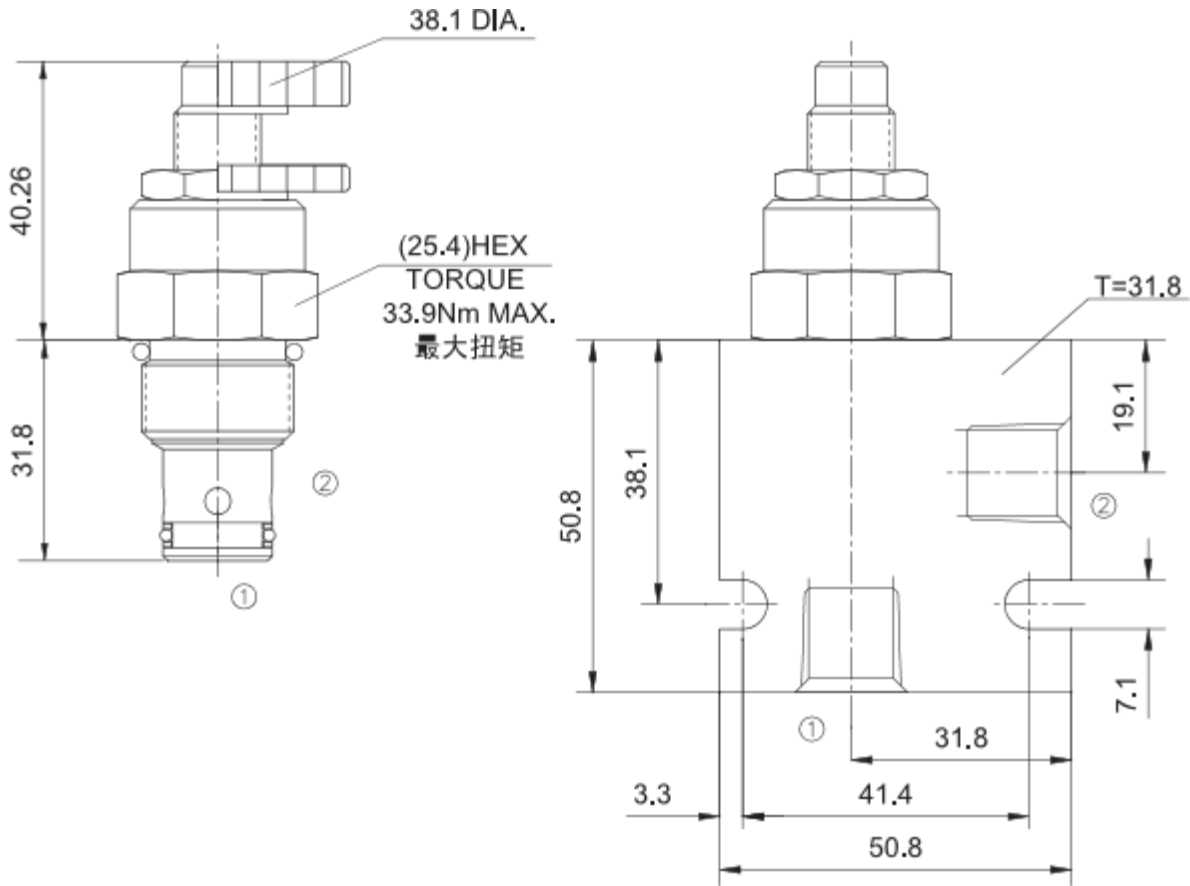
#### SYMBOL



#### PRESSURE DROP VS. FLOW



# INSTALLATION DIMENSIONS



Unit=Millimeters

## TO ORDER

