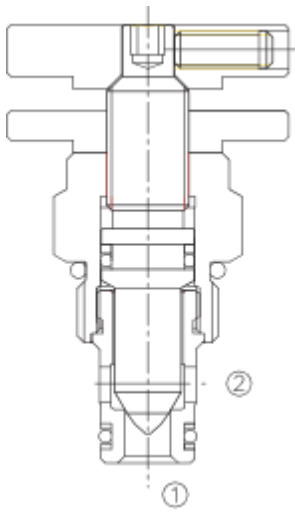


LNV2-08

节流阀

Adjustable, Cartridge Needle Valve



OPERATION

The valve varies flow restriction by adjusting needle in or out and will shut off when fully closed. These valves will meter flow in either direction.

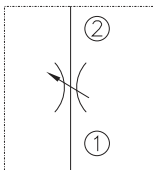
节流阀流量大小或关闭可通过调节螺杆来实现。

FEATURES

特性

- | | |
|--------------------------------------|----------|
| • Hardened seat for long life. | 长寿命的阀。 |
| • Zero leakage at shut-off. | 关闭时可零泄漏。 |
| • Adjustment may be locked in place. | 调压杆可锁定住。 |
| • Positive shut-off. | 可完全关闭。 |
| • Compact size. | 紧凑的结构。 |
| • Industry common cavity. | 工业通用插孔。 |

SYMBOL



SPECIFICATIONS

技术参数

Operating Pressure (工作压力): 250 Bar

Flow (流量): See FLOW CHARACTERISTICS chart.

Temperature(温度): -22°F to +250°F (-30°C to +120°C)

Recommended Filtration (推荐的过滤网): ISO 19/15

Fluids (流体): Mineral-based fluids.

For other fluid compatibility, consult factory.

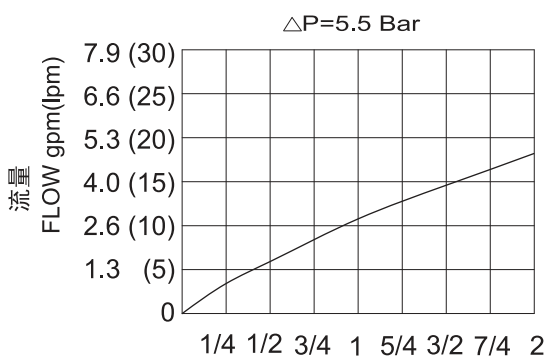
Cavity (插孔): 08-2, see page 362

Body Material (阀块材料): Anodized 6061T6 aluminum alloy rated at 207 Bar.

6061-T6, 允许使用最大压力207Bar.

FLOW CHARACTERISTICS

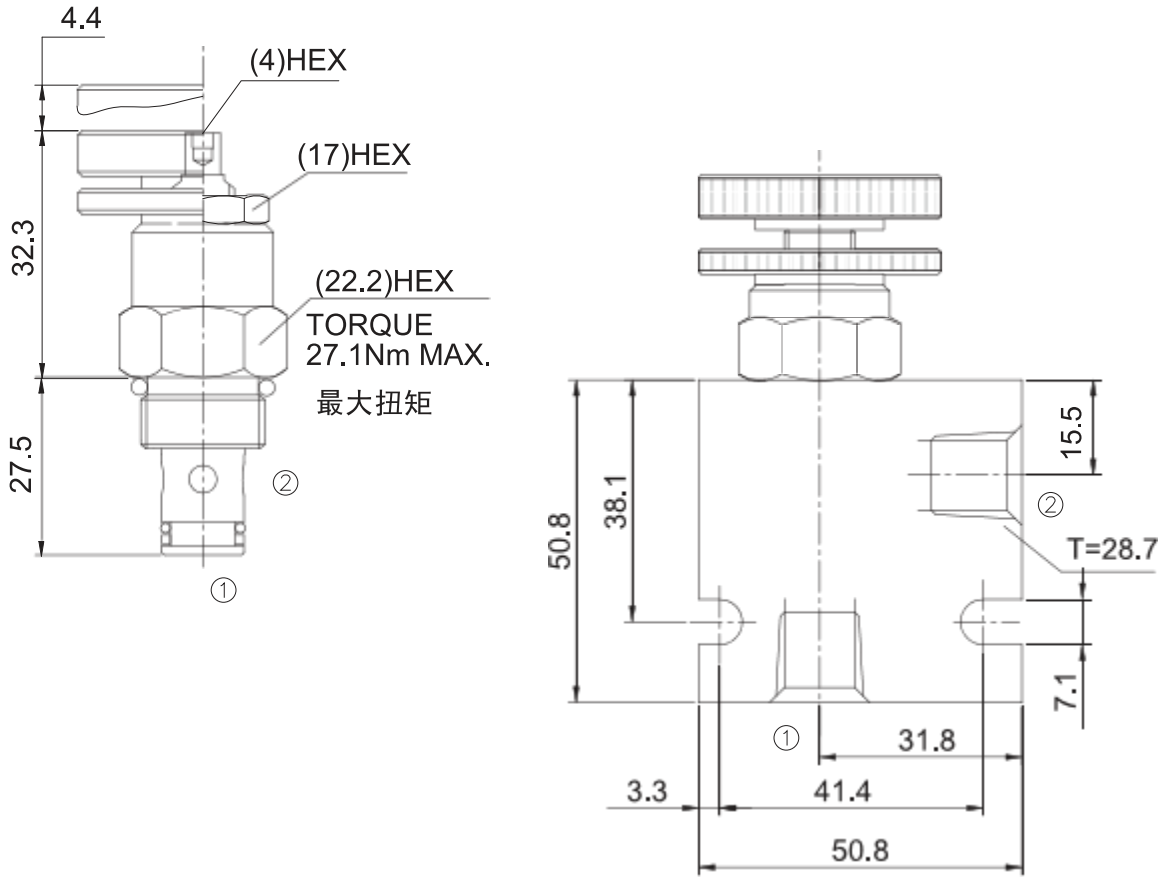
150 ssu/32 cSt OIL @ 100°F./38°C.



$$\text{FLOW IN GPM} = \frac{C_v \sqrt{P_1 - P_2}}{\sqrt{Gr}}$$

Cv = FLOW Coefficient
 P₁ = Inlet Pressure (psi)
 P₂ = Outlet Pressure (psi)
 Gr = specific gravity of medium at operating temperature in °F.

INSTALLATION DIMENSIONS



Unit=Millimeters

TO ORDER

