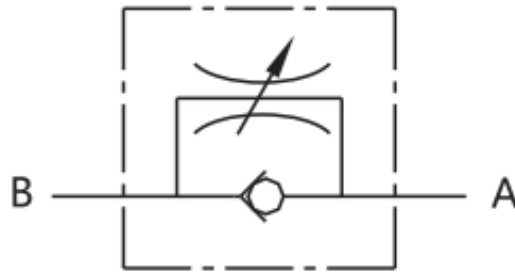


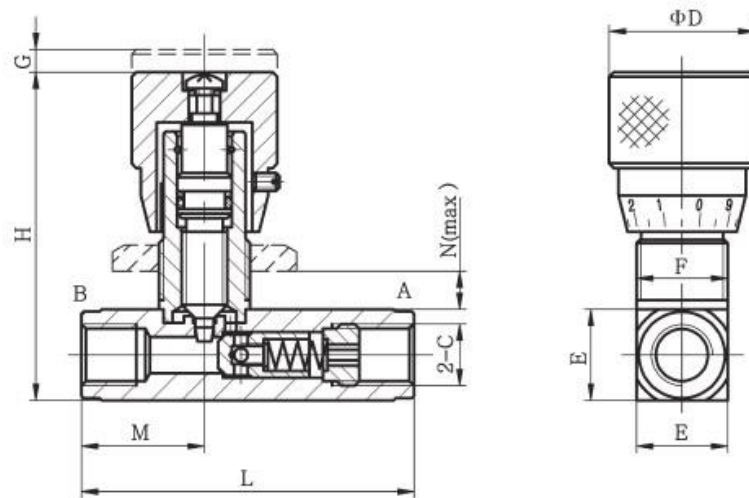


STU

STU Type Throttle Check Valve



Dimensions



Part Number	Model	Max Flow	Max Pressure	C Bsp	L	H	D	E	F	G	M	N
STU-G14 (DRV-8)	STU0400	12	40	G 1/4	73	72	32	20	M20X1	5	27	7
STU-G38 (DRV-10)	STU0600	30	40	G 3/8	82	80	32	25	M25X1.5	9	31	7
STU-G12 (DRV-12)	STU0800	50	40	G 1/2	98	92	45	30	M20X1.5	9	36.5	9
STU-G34 (DRV-16)	STU1200	85	40	G 3/4	112	100	45	40	M35X1.5	10	42	11
STU-G1 (DRV-20)	STU1600	150	32	G 1	142	122	45	40	M40X1.5	12	51	15