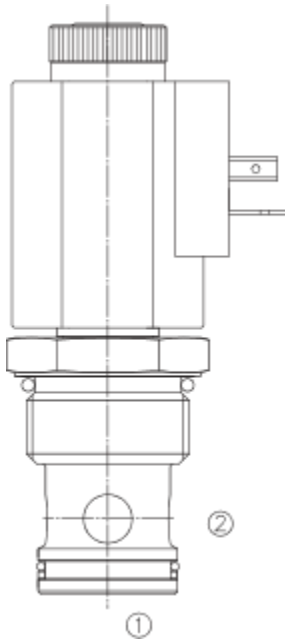


## LSV6-16-2 NO SP

### 二位二通电磁阀 双向止回，常开型

### Normally-Open, Two-Way, Two-Position Bi-Directional Cartridge Solenoid Valve



#### OPERATION

When de-energized, the poppet shifts to allow flow in either direction. When energized, the valve blocks flow in both directions.

断电时，阀芯打开，允许油液从②流向① 或从①流向②流动。通电后，此阀截止油液双向流动；

**Operation of Manual Override Option:** To override, push button in to block flow in both directions. To return to normal valve function, release button.

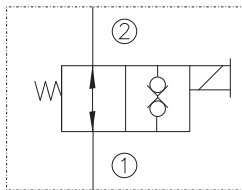
推进按钮，此阀截止油液双向流动；释放按钮，返回到常态。

#### FEATURES

特性

- Continuous-duty solenoid. 可持续工作的电磁铁。
- Hardened poppet and seat for long life. 长寿命的阀芯和阀套。
- Efficient wet-armature construction. 高效能的电磁铁结构。
- Optional coil voltages and terminations. 可选择的线圈电压和终端。
- Manual override option. 可带手动卸荷。
- Industry common cavity. 工业通用插孔。
- Compact size. 紧凑的结构。

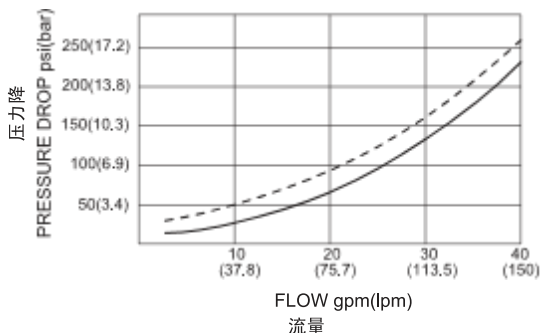
#### SYMBOL



#### PRESSURE DROP VS. FLOW

② to ① ——— De-Energized(不通电)  
① to ② - - - - De-Energized(不通电)

150 ssu/46 cSt OIL@100°F/38°C



#### SPECIFICATIONS

技术参数

**Max. Operating Pressure(最大工作压力):** 350 Bar

**Flow(流量):** See PRESSURE DROP VS.FLOW graph.

**Internal Leakage(内泄漏):** 5 drops/min. Max. at 350 Bar

**Temperature(温度):** -22°F to +250°F (-30°C to +120°C)

**Coil Rating(线圈电压范围):**

Continuous from 90% to 110% of rated voltage.

**Recommended Filtration : Critical Application - ISO 16/12**

(推荐的过滤网): Non-Critical Application - ISO 19/15

**Fluids(流体):** Mineral-based fluids.

For other fluid compatibility, consult factory.

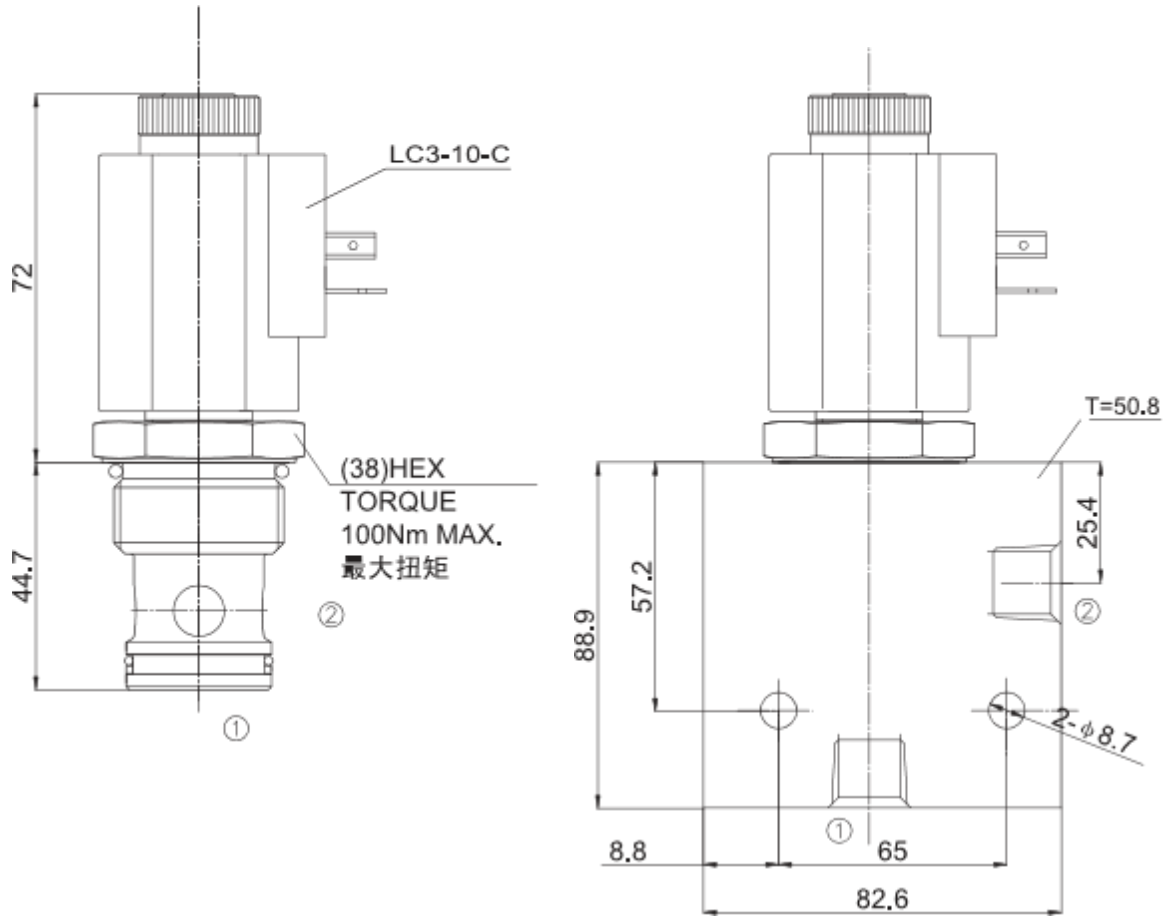
**Cavity(插孔):** 16-2, see page 364

**Body Material(阀块材料):** steel rated at 350 Bar.

钢材，允许使用最大压力350 Bar。

## INSTALLATION DIMENSIONS

COIL MUST BE INSTALLED WITH LETTER UP  
安装线圈时, 字母必须朝上



Unit=Millimeters

## TO ORDER

LSV6- 16 - 2 NO SP - \* - \*\* - \*\*

SOLENOID VALVE 电磁阀  
CAVITY 插孔  
FLOW PATH 流道类型  
NORMALLY OPEN 常开  
POPPET 锥阀型

M=Manual Override 手动卸荷  
(Omit for standard 省略为常规)

BODY PORTING 阀块油口  
12T=SAE12  
16T=SAE16  
6G=G3/4  
8G=G1  
Other Porting is Available  
其它螺纹油口也是可选择的  
(Omit for Cartridge only  
省略为不带阀块)

COIL CONNECTION 线圈连接  
D= Double Lead 双线  
H= Hirschmann 三插

VOLTAGE 电压  
1=12V Volt DC  
2=24V Volt DC  
3=110V Volt AC  
4=220V Volt AC