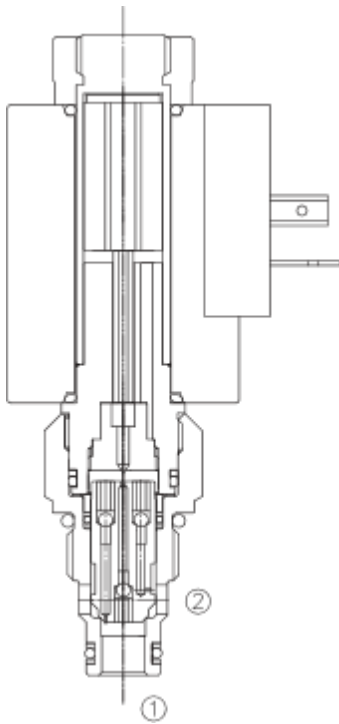


# LSV6-10-2 NO SP

## 二位二通电磁阀 双向止回，常开型

### Normally-Open , Two-Way, Two-Position Bi-Directional Cartridge Solenoid Valve



#### OPERATION

When de-energized, the poppet shifts to allow flow in either direction. When energized, the valve blocks flow in both directions.

断电时，阀芯打开，允许油液从②流向① 或从①流向②流动。通电后，此阀截止油液双向流动；

**Operation of Manual Override Option:** To override, push button in to block flow in both directions. To return to normal valve function, release button.

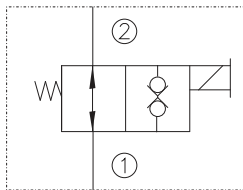
推进按钮，此阀截止油液双向流动；释放按钮，返回到常态。

#### FEATURES

特性

- Continuous-duty solenoid. 可持续工作的电磁铁。
- Hardened poppet and seat for long life . 长寿命的阀芯和阀套。
- Efficient wet-armature construction. 高效能的电磁铁结构。
- Optional coil voltages and terminations. 可选择的线圈电压和终端。
- Manual override option. 可带手动卸荷。
- Industry common cavity. 工业通用插孔。
- Compact size. 紧凑的结构。

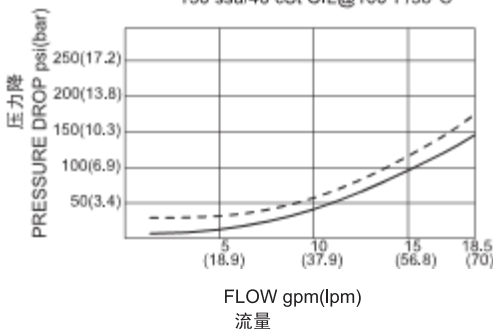
#### SYMBOL



#### PRESSURE DROP VS. FLOW

② to ① ——— De-Energized(不通电)  
① to ② - - - - - De-Energized(不通电)

150 ssu/46 cSt OIL@100°F/38°C



#### SPECIFICATIONS

技术参数

**Max. Operating Pressure(最大工作压力):** 350 Bar

**Flow(流量):** See PRESSURE DROP VS.FLOW graph.

**Internal Leakage(内泄漏):** 5 drops/min. Max. at 350 Bar

**Temperature(温度):** -22°F to +250°F (-30°C to +120°C)

**Coil Rating(线圈电压范围):**

Continuous from 90% to 110% of rated voltage.

**Recommended Filtration : Critical Application - ISO 16/12**

(推荐的过滤网): Non-Critical Application - ISO 19/15

**Fluids(流体):** Mineral-based fluids.

For other fluid compatibility, consult factory.

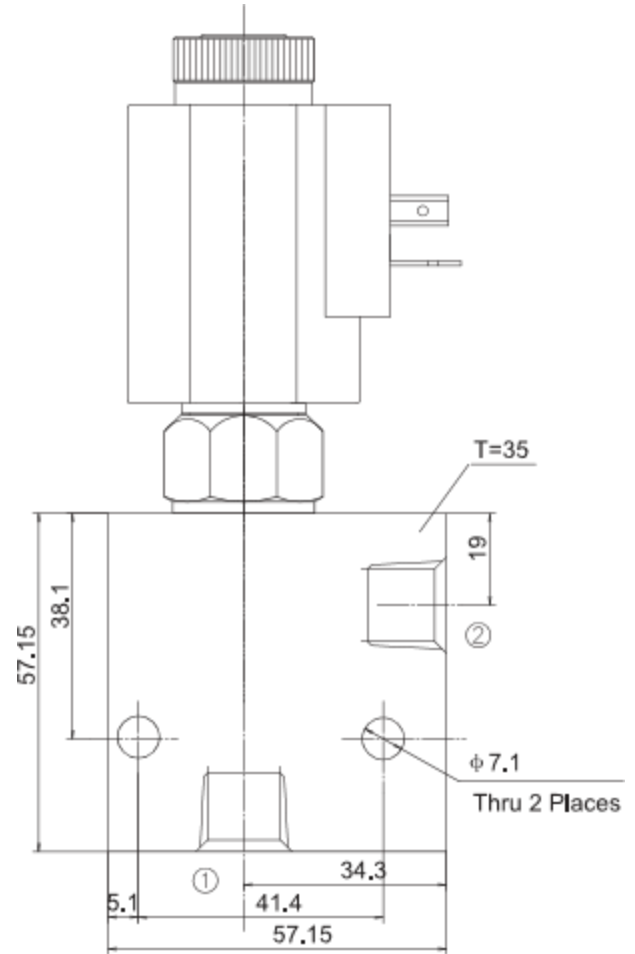
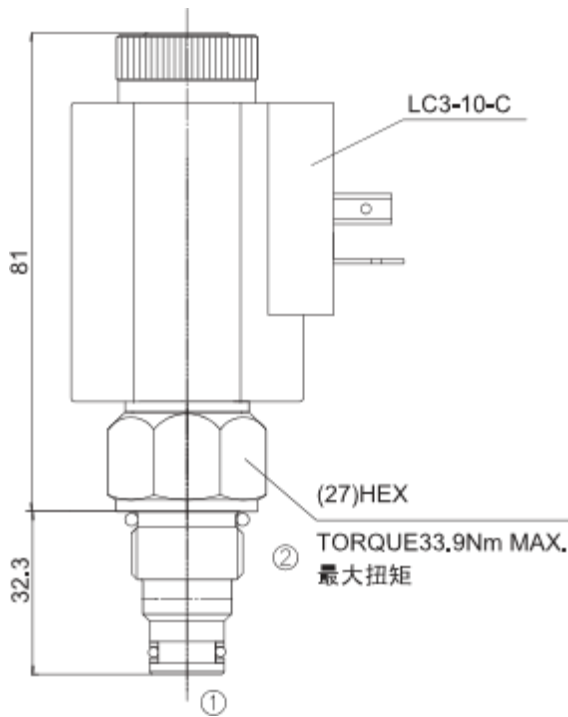
**Cavity(插孔):** 10-2, see page 363

**Body Material(阀块材料):** steel rated at 350 Bar.

钢材，允许使用最大压力350 Bar。

# INSTALLATION DIMENSIONS

COIL MUST BE INSTALLED WITH LETTER UP  
 安装线圈时, 字母必须朝上



Unit=Millimeters

## TO ORDER

LSV6- 10 - 2 NO SP - \* - \*\* - \*\*

- SOLENOID VALVE 电磁阀
- CAVITY 插孔
- FLOW PATH 流道类型
- NORMALLY OPEN 常开
- POPPET 锥阀型

M=Manual Override 手动卸荷  
 (Omit for standard 省略为常规)

BODY PORTING 阀块油口  
 3N=3/8PTF  
 10T=SAE10  
 Other Porting is Available  
 其它螺纹油口也是可选择的  
 (Omit for Cartridge only  
 省略为不带阀块)

COIL CONNECTION 线圈连接  
 D= Double Lead 双线  
 H= Hirschmann 三插

VOLTAGE 电压

1=12V	Volt	DC
2=24V	Volt	DC
3=110V	Volt	AC
4=220V	Volt	AC