

LSV2-10-2 NOS

二位二通电磁阀 常开型

Normally-open, Two Way, Two-position, Spool-type Cartridge Solenoid Valve

OPERATION

When de-energized, the valve allows flow in both directions. When energized, the cartridge's spool shifts to block flow in either direction.

断电时，此阀允许油液双向流动；
通电后，阀芯移动，从而双向截止油液流动。

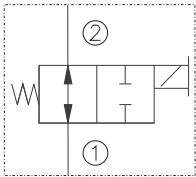
Operation of Manual Override Option: To override, push button in, twist counterclockwise and release. In this position, the valve will remain close in a detente condition.

To return to normal operation, push button in, twist clockwise and release.

Override will be detente in this position.

先推进按钮，然后逆时针方向旋转，释放。此时阀口关闭；
返回到常态，推进按钮，然后顺时针方向旋转，释放。
旋钮将被固定在这位置。

SYMBOL



FEATURES

特性

Both ports may be fully pressurized.

两油口都可接压力腔。

Continuous-duty solenoid.

可持续工作的电磁铁。

Hardened precision spool and sleeve for long life.

长寿命的阀。

Efficient wet-armature construction.

高效能的电磁铁结构。

Optional coil voltages and terminations.

可选择线圈电压和终端。

Manual override option.

可带手动卸荷。

Industry common cavity.

工业通用插孔。

Compact size.

紧凑的结构。

SPECIFICATIONS

技术参数

Operating Pressure(工作压力): 207 Bar

Flow(流量): Inlet at port ②: up to 22.7lpm; Inlet at port ① : 18.9lpm;
油口②流入量: 最大22.7lpm; 油口①流入量: 最大18.9lpm;

Internal Leakage(内泄漏): 82cc/min. Max. at 207 Bar

Temperature(温度): -22°F to +250°F (-30°C to +120°C)

Coil Rating(线圈电压范围):

Continuous from 90% to 110% of rated voltage.

Recommended Filtration : Critical Application - ISO 16/12

(推荐的过滤网): Non-Critical Application - ISO 19/15

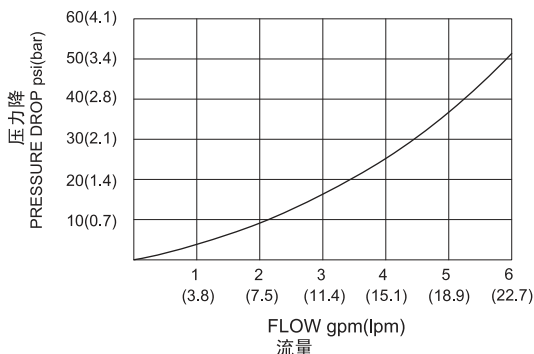
Cavity(插孔): 10-2, see page 363

Body Material(阀块材料):

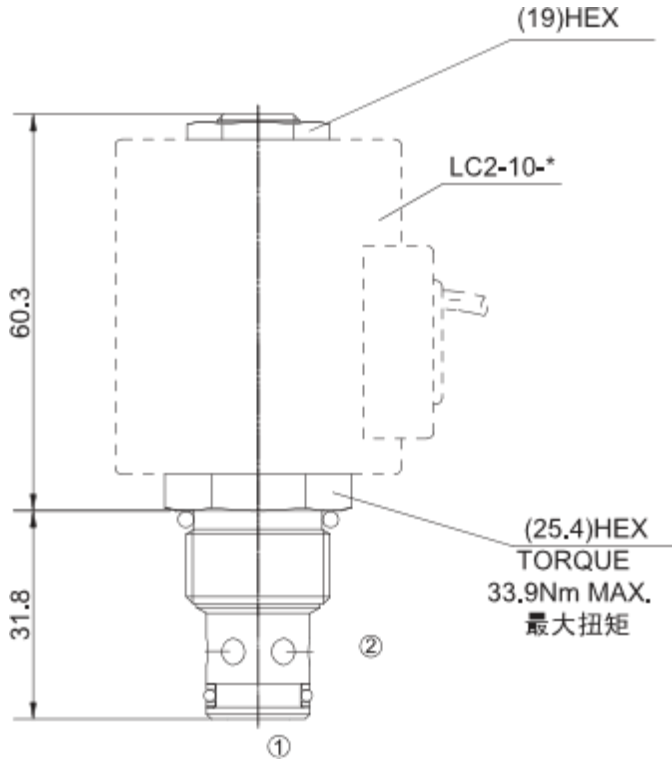
Anodized 6061 T6 aluminum alloy rated at 207Bar
6061-T6铝，允许使用最大压力207Bar。

PRESSURE DROP VS. FLOW

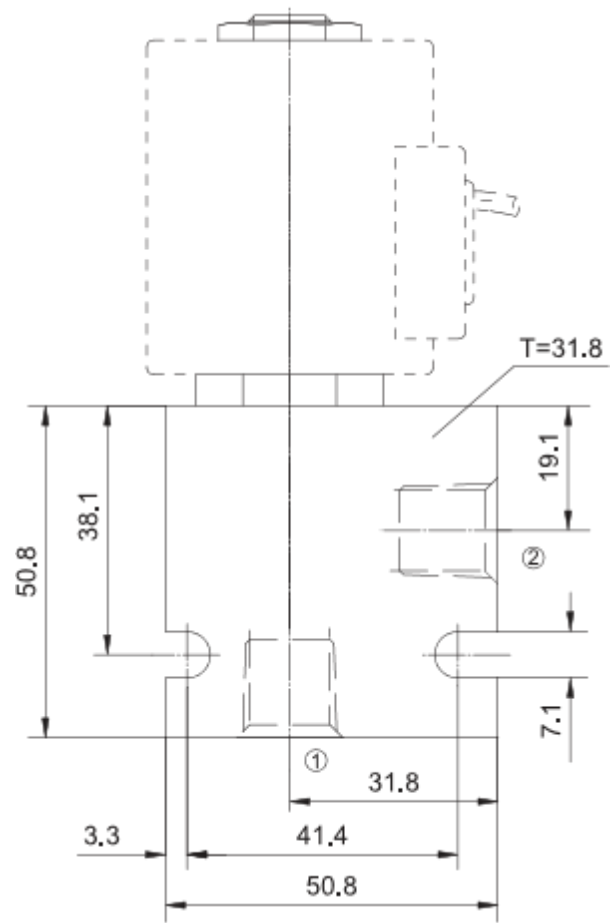
De-Energized 不通电
150 ssu/32 cSt OIL@100°F/38°C



INSTALLATION DIMENSIONS



COIL MUST BE INSTALLED WITH LETTER UP
安装线圈时, 字母必须朝上



Unit=Millimeters

TO ORDER

LSV2 - 10 - 2 NO S - * - * * - * *

SOLENOID VALVE 电磁阀
CAVITY 插孔
FLOW PATH 流道类型
NORMALLY OPEN 常开
SPOOL 滑阀型
M=Manual Override 手动卸荷
(Omit for standard 省略为常规)

BODY PORTING 阀块油口
3N = 3/8 PTF
6T = SAE6
8T = SAE8
Other porting is available.
其他螺纹油口是可选择的。
(Omit for Cartridge only)
省略为不带阀块

COIL CONNECTION 线圈连接
D = Double Lead 双线
H = Hirschmann 三插
C = Conduit 带护套
B = Double Spade 双插
ER = Deutsch Connector
(Water-proof coil)
德意志插座(防水线圈)

VOLTAGE 电压
1 = 12V Volt DC
2 = 24V Volt DC
3 = 110V Volt AC
4 = 220V Volt AC
5 = 10v Volt DC