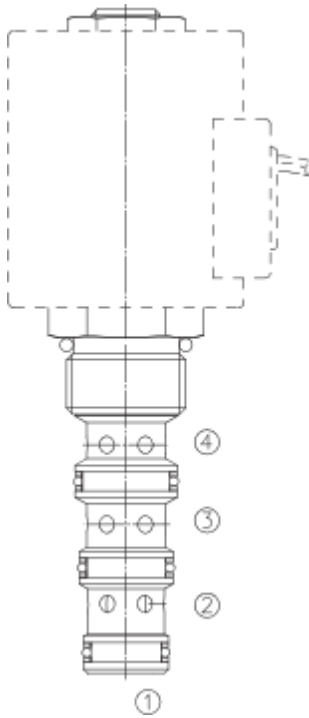


LSV2-10-4 NO

二位四通电磁阀

Four-Way, Two-Position,
Spool-Type Cartridge Solenoid Valve



OPERATION

When de-energized, the valve allows flow from ③ to ④ and from ② to ①.

When energized, the cartridge's spool shifts to block flow at all ports.

当电磁铁不通电时，③和④通，②与①通；

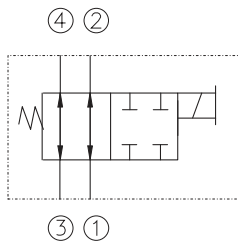
当电磁铁通电时，①、②、③和④均不通。

FEATURES

特性

- Continuous-duty solenoid. 可持续工作的电磁铁。
- Hardened precision spool and sleeve for long life. 长寿命的阀。
- Efficient wet-armature construction. 高效能的电磁铁结构。
- Optional coil voltages and terminations. 可选的线圈电压和终端。
- Manual override option. 可带手动卸荷。
- Industry common cavity. 工业通用插孔。
- Compact size. 紧凑的结构。

SYMBOL



SPECIFICATIONS

技术参数

Operating Pressure(工作压力): 207 Bar

Flow(流量): See PRESSURE DROP VS. FLOW graph.

Internal Leakage(内泄漏): (per land) 82cc/min. max. at 207 Bar

Temperature(温度): -22°F to +250°F (-30°C to +120°C)

Coil Rating(线圈电压范围):

Continuous from 90% to 110% of rated voltage.

Recommended Filtration(推荐的过滤网): ISO 16/12

Fluids(流体): Mineral-based fluids.

For other fluid compatibility, consult factory.

Cavity(插孔): 10-4, see page 363

Body Material(阀块材料): Anodized 6061T6 aluminum alloy rated at 207 Bar.

6061-T6铝，允许使用最大压力207Bar.

PRESSURE DROP VS. FLOW

