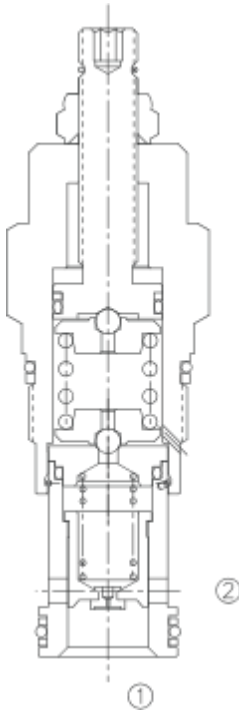


LRPGC (导压操作, 平稳响应型)

Pilot-Operated smooth and quiet relief valve



OPERATION

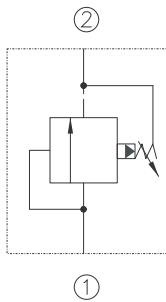
The valve are normally closed, pressure-limiting valves used to protect hydraulics components from pressure transients. When the pressure at the inlet (port ①) reaches the valve setting, the valve starts to open to tank (port ②), throttling flow to limit the pressure rise.
 先导式滑阀型溢流阀用于保护系统的压力瞬时过载。
 当①口压力超过阀的设定时, ①口到②口溢流过载, 节流限制系统压力升高。

FEATURES

特性

- Suitable for use in cross port relief circuits. If used in cross port relief circuits, consider spool leakage.
 适用于用于溢流阀对装系统。用在这种系统中, 应考虑阀内泄漏。
- Not suitable for use in load holding applications due to spool leakage.
 不适合用在保压系统中。
- Back pressure on the tank port (port 2) is directly additive to the valve setting at a 1:1 ratio. 2口背压会直接1:1影响到阀的设定。
- Hardened poppet and seat for long life. 长寿命的阀。
- Compact size. 紧凑的结构。

SYMBOL



SPECIFICATIONS

技术参数

Max. Operating Pressure(最大工作压力): 350 Bar

Flow(流量): See PRESSURE DROP VS.FLOW graph.

Internal Leakage(内泄漏): 50 cc/min. at 70 Bar.

Factory Pressure Setting Established at 4gpm(15L/min).

工厂的设定是指当溢流阀开启时(流量为15L/min)的压力

Response Time - Typical(响应时间): 10ms

Standard Spring Ranges(弹簧调压范围):

A	7 to 210 Bar ,	Preset=70 Bar
B	3.5 to 105 Bar ,	Preset=70 Bar
C	10.5 to 420 Bar ,	Preset=70 Bar
D	1.7 to 55 Bar ,	Preset=30 Bar
E	1.7 to 28 Bar ,	Preset=14 Bar
W	10.5 to 315 Bar ,	Preset=70 Bar
N	4 to 55 Bar ,	Preset=30 Bar
Q	4 to 25 Bar ,	Preset=14 Bar

Temperature(温度): -22°F to +250°F (-30°C to +120°C)

Fluids(流体): Mineral-based fluids.

For other fluid compatibility, consult factory.

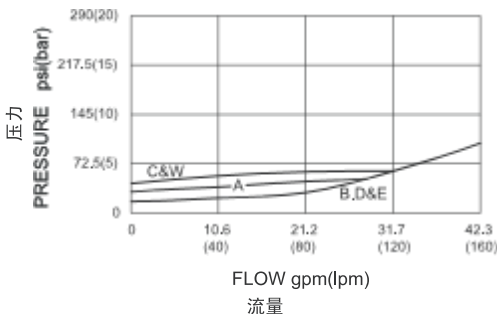
Cavity(插孔): SUN T-3A, see page 369

Body Material(阀块材料): steel rated at 350 Bar.

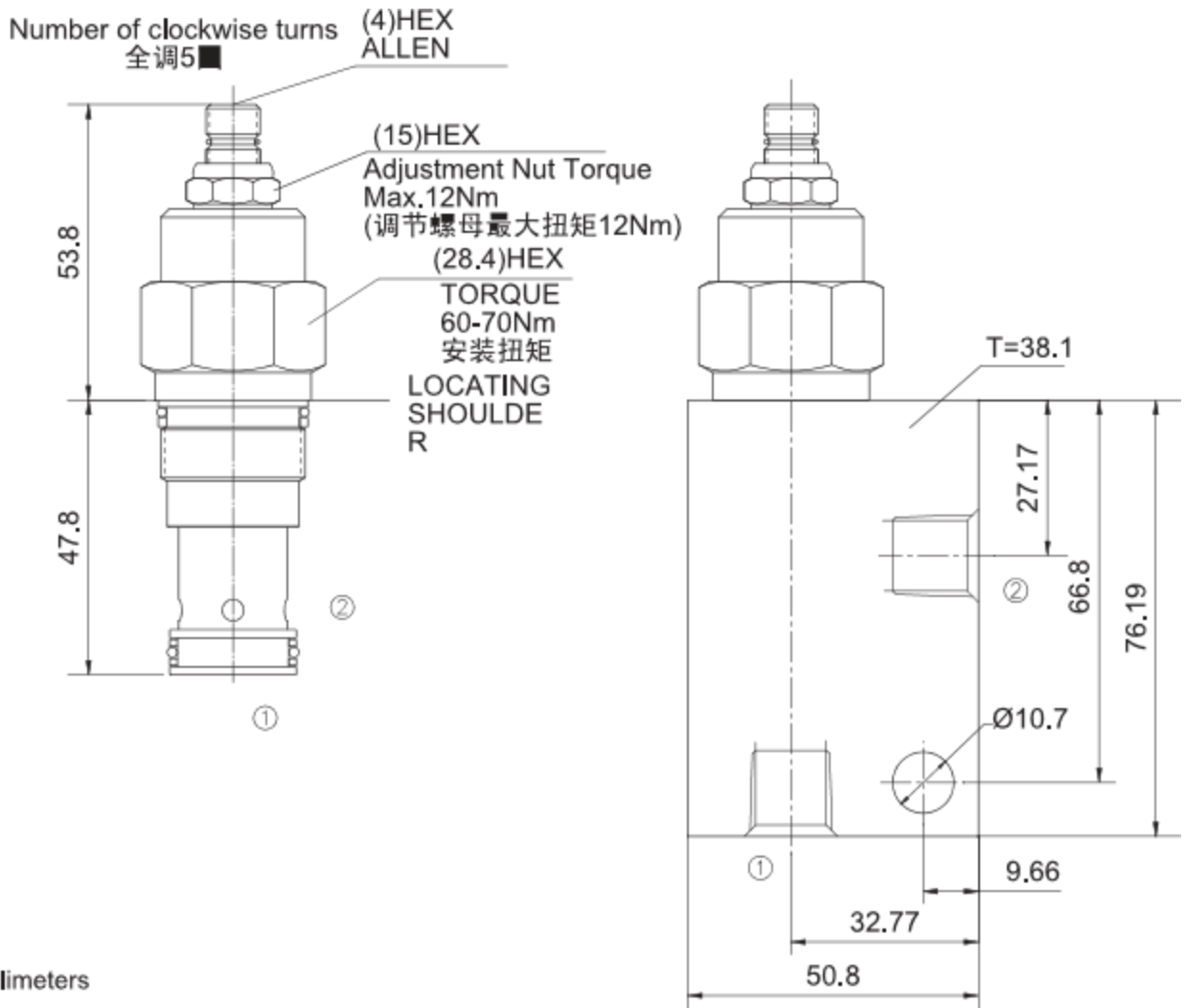
钢材, 允许使用最大压力350 Bar。

PRESSURE DROP VS. FLOW

Minimum Setting
 150 ssu/32 cSt oil @ 100°F/38°C



INSTALLATION DIMENSIONS



TO ORDER

