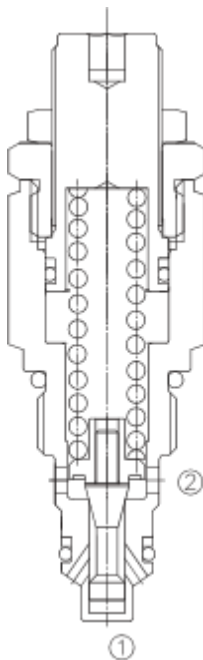


## LNRV-08 直动式溢流阀

### Adjustable, Direct-Acting Cartridge Relief Valve



#### OPERATION

The valve prevents flow from ① to ② until the set crack pressure at ① is achieved. The poppet then unseats allowing flow from ① to ② protecting the circuit from over pressurization.

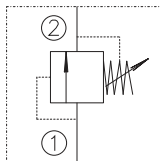
当在①口的压力超过调压弹簧设定的压力时，锥阀芯打开，①到②通，防止系统过压。

#### FEATURES

##### 特性

- Adjustments cannot be backed out of the valve. 调节杆不会被旋出。
- positive stops prevent springs from going solid. 调节时，弹簧不会被压并。
- Optional spring ranges to 350 bar . 弹簧选择范围可达到350bar。
- Fast response to pressure changes. 迅速响应压力变化。
- Compact size. 紧凑的结构。
- Quiet response. 无噪音响应。

#### SYMBOL



#### SPECIFICATIONS

##### 技术参数

**Operating Pressure (工作压力) :** 350 bar

**Flow (流量) :** See PRESSURE DROP VS. FLOW graph.

**Internal Leakage(内泄漏):** 5 drops/min.MAX.to 80% of nominal setting

**Reseat Pressure:** Nominal 80% of crack pressure  
[crack(set) pressure at 0.95lpm/0.25gpm]

**Spring Range (弹簧调压范围) :**

20 to 125 Bar; PRESET(预设): 69Bar

40 to 180 Bar; PRESET(预设): 138Bar

180 to 350 Bar; PRESET(预设): 207Bar

**Temperature(温度) :** -22°F to +250°F (-30°C to +120°C)

**Filtration (过滤网) :** ISO 19/15

**Fluids(流体):** Mineral-based fluids.

For other fluid compatibility consult factory.

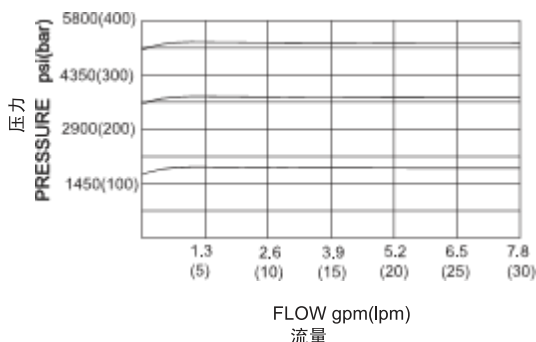
**Cavity (插孔) :** 08-2; See page 362

**Body Material (阀块材料) :**

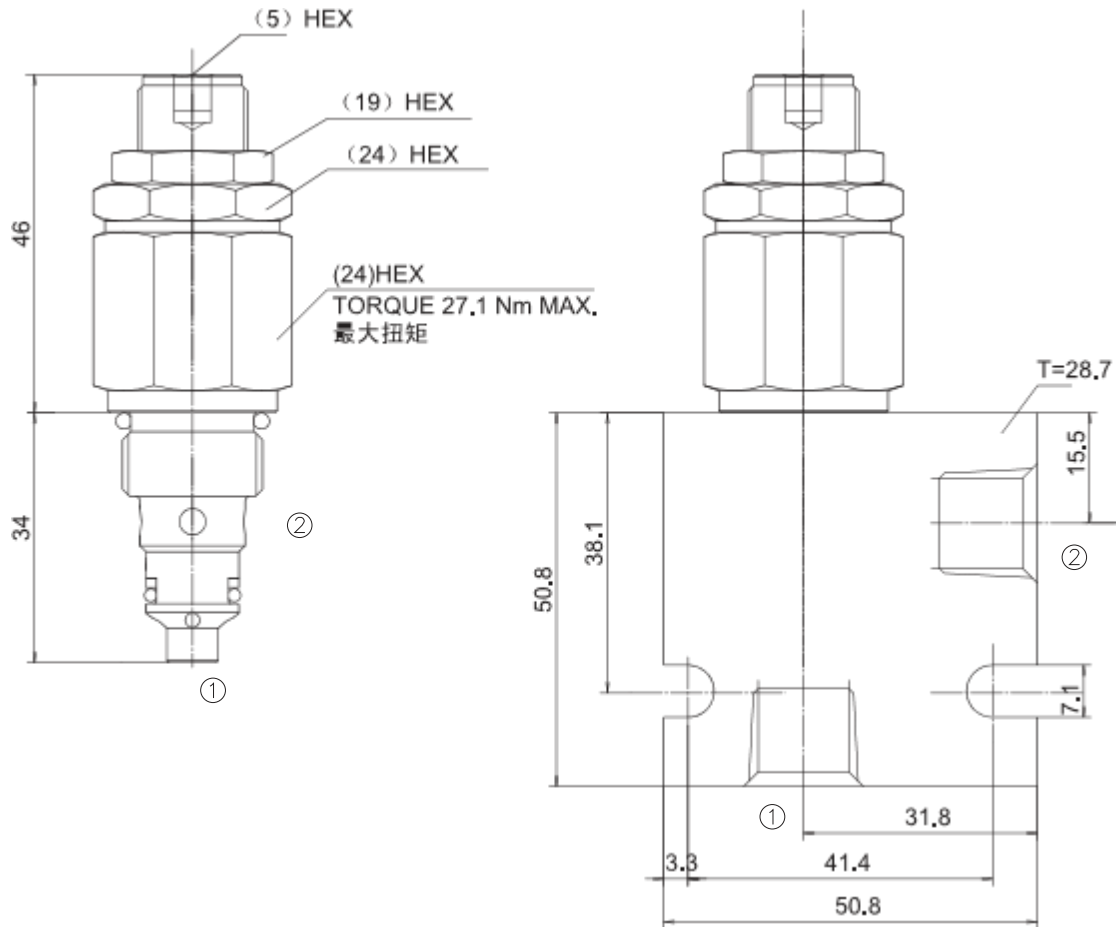
steel rated at 350 Bar.  
钢材，允许使用最大压力350 Bar。

#### PRESSURE DROP VS. FLOW

150 ssu/32 cSt OIL@100°F/38°C



## INSTALLATION DIMENSIONS



Unit=Millimeters

## TO ORDER

