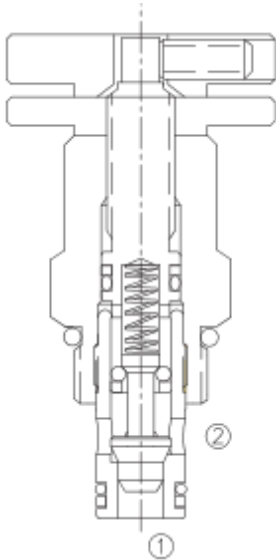


LFC-08

单向节流阀

Adjustable, Cartridge Flow Control Valve



OPERATION

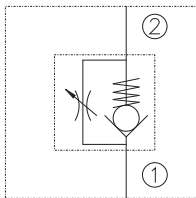
The valve varies flow restriction by adjusting needle in or out. Flow is metered from ② to ①. Free reverse flow is from ① to ② .
 节流阀流量大小可通过调节螺杆来实现。②到①节流，①到②开启。

FEATURES

特性

- Hardened poppet and seat for long life. 长寿命的阀。
- Full range of adjustments. 调节范围大。
- Adjustment may be locked in place. 调压杆可锁定住。
- Industry common cavity. 工业通用插孔。
- Compact size. 紧凑的结构。

SYMBOL

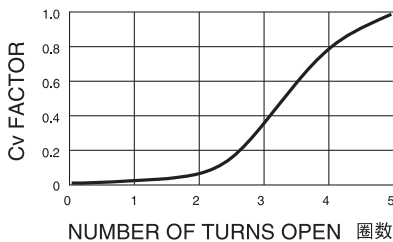


SPECIFICATIONS

技术参数

- Operating Pressure (最大工作压力) :** 250Bar
- Flow (流量) :** See PRESSURE DROP VS. FLOW graph
- Temperature(温度) :** -22°F to +250°F (-30°C to +120°C)
- Recommended Filtration (推荐的过滤网) :** ISO 19/15
- Fluids (流体) :** Mineral-based fluids.
For other fluid compatibility, consult factory.
- Cavity (插孔) :** 08-2, see page 362
- Body Material (阀块材料) :** Anodized 6061T6 aluminum alloy rated at 207 Bar.
6061-T6, 允许使用最大压力207Bar.

PRESSURE DROP VS. FLOW

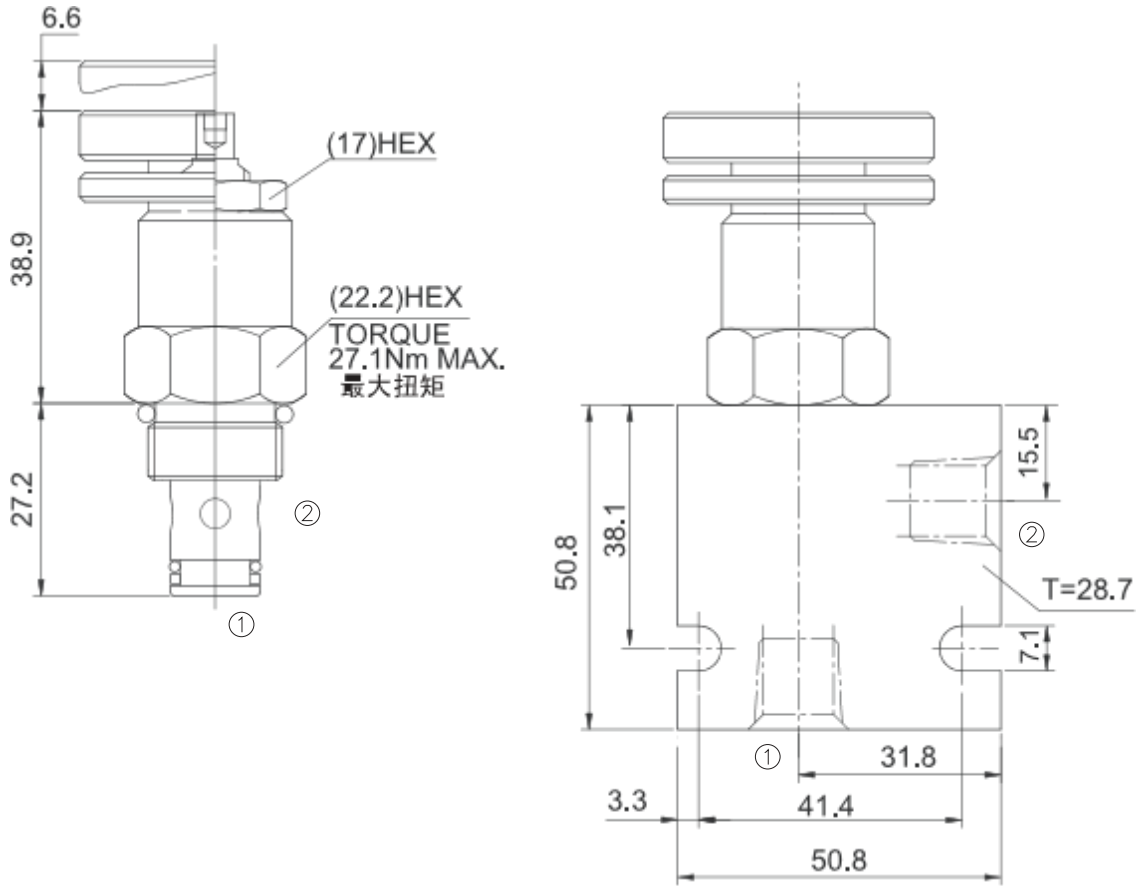


$$\text{FLOW IN GPM} = \frac{Cv \sqrt{P1 - P2}}{\sqrt{Gf}}$$

Cv = Flow Coefficient
 P1 = Inlet Pressure (psi)
 P2 = Outlet Pressure (psi)

Gf = specific gravity of medium at operating temperature in F. °

INSTALLATION DIMENSIONS



Unit=Millimeters

TO ORDER

