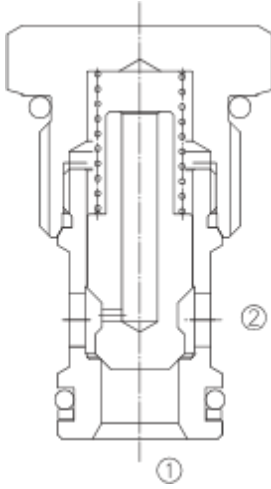


# LCV-12-P

## 单向阀 锥阀型

### Direct-Acting, Poppet-Type Cartridge Check Valve



#### OPERATION

Pressure at ① overcomes the spring-bias poppet and allows free flow ① to ② . Flow in the opposite direction, from ② to ① , is blocked by the poppet.

当在 ①口的压力超过开启压力，①到②开启；在反方向，②到①关闭；

#### FEATURES

特性

- Hardened poppet and seat for long life. 长寿命的阀。
- Low leakage . 低泄漏。
- Industry common cavity. 工业通用插孔。
- Compact size. 紧凑的结构。

#### SPECIFICATIONS

技术参数

**Operating Pressure** (工作压力) : 250Bar

**Flow** (流量) : See PRESSURE DROP VS. FLOW graph.

**Internal Leakage** (内泄漏) : 5 drops/min. max. at 250 Bar

**Crack Pressures** (开启压力):

1.7=1.7Bar

4.5=4.5Bar

**Temperature**(温度): -22°F to +250°F (-30°C to +120°C)

**Recommended Filtration:** Critical Application – ISO 16/12

(推荐的过滤网) Non-Critical Application – ISO 19/15

**Fluids**(流体): Mineral-based fluids.

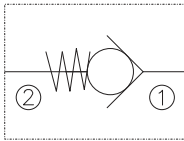
For other fluid compatibility, consult factory.

**Cavity** (插孔) : 12-2, see page 364

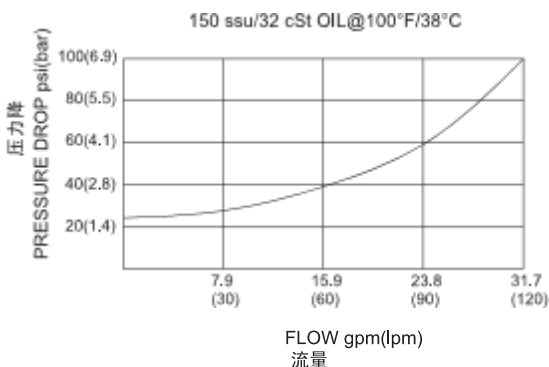
**Body Material** (阀块材料) : Anodized 6061T6 aluminum alloy rated at 207 Bar.

6061-T6铝，允许使用最大压力207Bar.

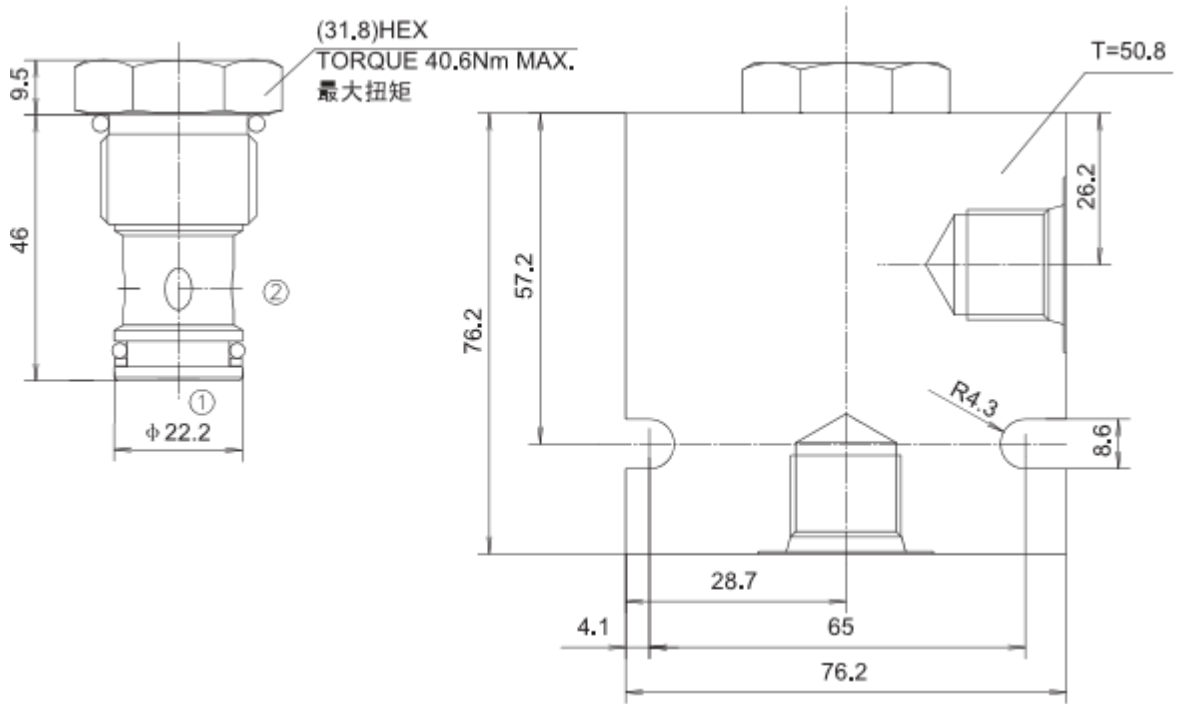
#### SYMBOL



#### PRESSURE DROP VS. FLOW



## INSTALLATION DIMENSIONS



Unit=Millimeters

## TO ORDER

