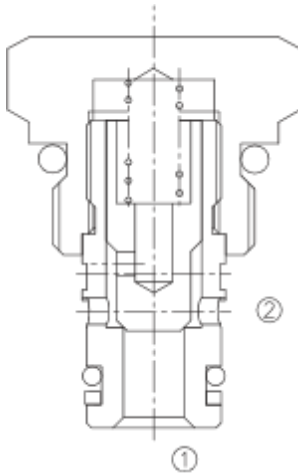


LCV-08-P

单向阀 锥阀型



Direct-Acting, Poppet-Type Cartridge Check Valve

OPERATION

Pressure at ① overcomes the spring-bias Poppet and allows free flow① to② .

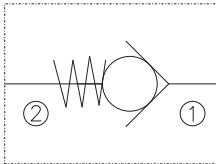
Flow in the opposite direction, from ② to ① , is blocked by the Poppet .
 当在①口的压力超过开启压力，①到②开启；在反方向，②到①关闭；

FEATURES

特性

- Hardened poppet and seat for long life. 长寿命的阀。
- Low leakage. 低泄漏。
- Industry common cavity. 工业通用插孔。
- Compact size. 紧凑的结构。

SYMBOL



SPECIFICATIONS

技术参数

Operating Pressure (工作压力) : 250 Bar

Flow (流量) : See PRESSURE DROP VS. FLOW graph.

Internal Leakage (内泄漏) : 2 drops/min. max. at 250 Bar

Crack Pressures(开启压力):

- 0.3=0.3Bar
- 0.7=0.7Bar
- 2.1=2.1Bar
- 3.0=3.0Bar
- 4.1=4.1Bar

Temperature(温度) : -22°F to +250°F (-30°C to +120°C)

Recommended Filtration: Critical Application – ISO 16/12
 (推荐的过滤网) Non-Critical Application – ISO 19/15

Fluids(流体): Mineral-based fluids.

For other fluid compatibility, consult factory.

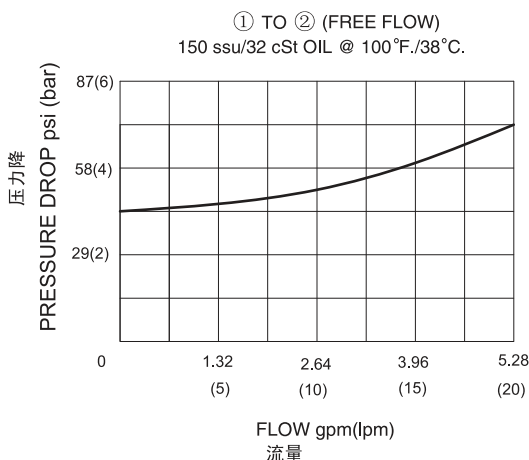
Cavity (插孔) : 08-2, see page 362

Body Material (阀块材料) : Anodized 6061T6 aluminum

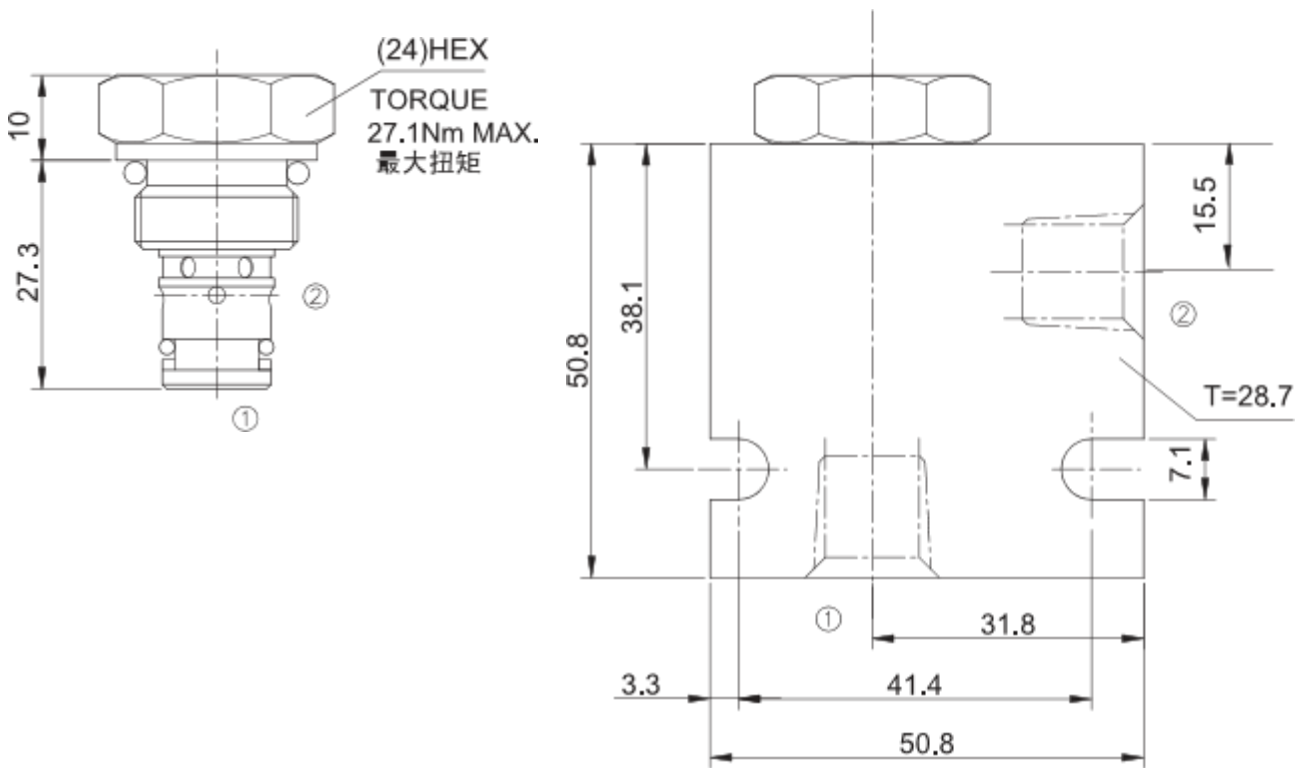
alloy rated at 207 Bar.

6061-T6铝，允许使用最大压力207Bar.

PRESSURE DROP VS. FLOW



INSTALLATION DIMENSIONS



Unit=Millimeters

TO ORDER

