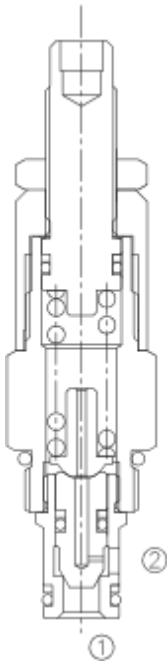


LADR2-08 直动式溢流阀

Adjustable, Direct-Acting Cartridge Relief Valve



OPERATION

The valve prevents flow from ① to ② until the set crack pressure at ① is achieved. The poppet then unseats allowing flow from ① to ② protecting the circuit from over pressurization.

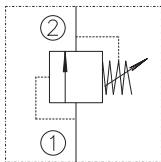
当在①口的压力超过调压弹簧设定的压力时，锥阀芯打开，①到②通，防止系统过压。

FEATURES

特性

- Adjustments cannot be backed out of the valve. 调节杆不会被旋出。
- positive stops prevent springs from going solid. 调节时，弹簧不会被压并。
- Optional spring ranges to 250 bar. 弹簧选择范围可达到250bar。
- Fast response to pressure changes. 迅速响应压力变化。
- Compact size. 紧凑的结构。

SYMBOL



SPECIFICATIONS

技术参数

Operating Pressure (工作压力) : 250 bar

Flow (流量) : See PRESSURE DROP VS. FLOW graph.

Internal Leakage(内泄漏): 5 drops/min.MAX.to 80% of nominal setting

Reseat Pressure: Nominal 80% of crack pressure
[crack(set) pressure at 0.95lpm/0.25gpm]

Spring Range (弹簧调压范围) :

4 to 35 Bar; PRESET(预设): 17Bar

7 to 76 Bar; PRESET(预设): 38Bar

17 to 159 Bar; PRESET(预设): 79Bar

17 to 260 Bar; PRESET(预设): 124Bar

Temperature(温度) : -30°C to +120°C with standard Buna seals

Filtration (过滤网) : ISO 19/15

Fluids(流体): Mineral-based fluids.

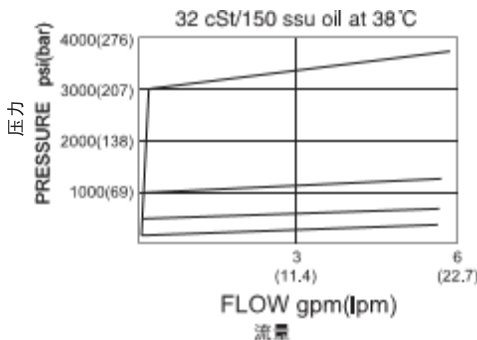
For other fluid compatibility consult factory.

Cavity (插孔) : 08-2; See page 362

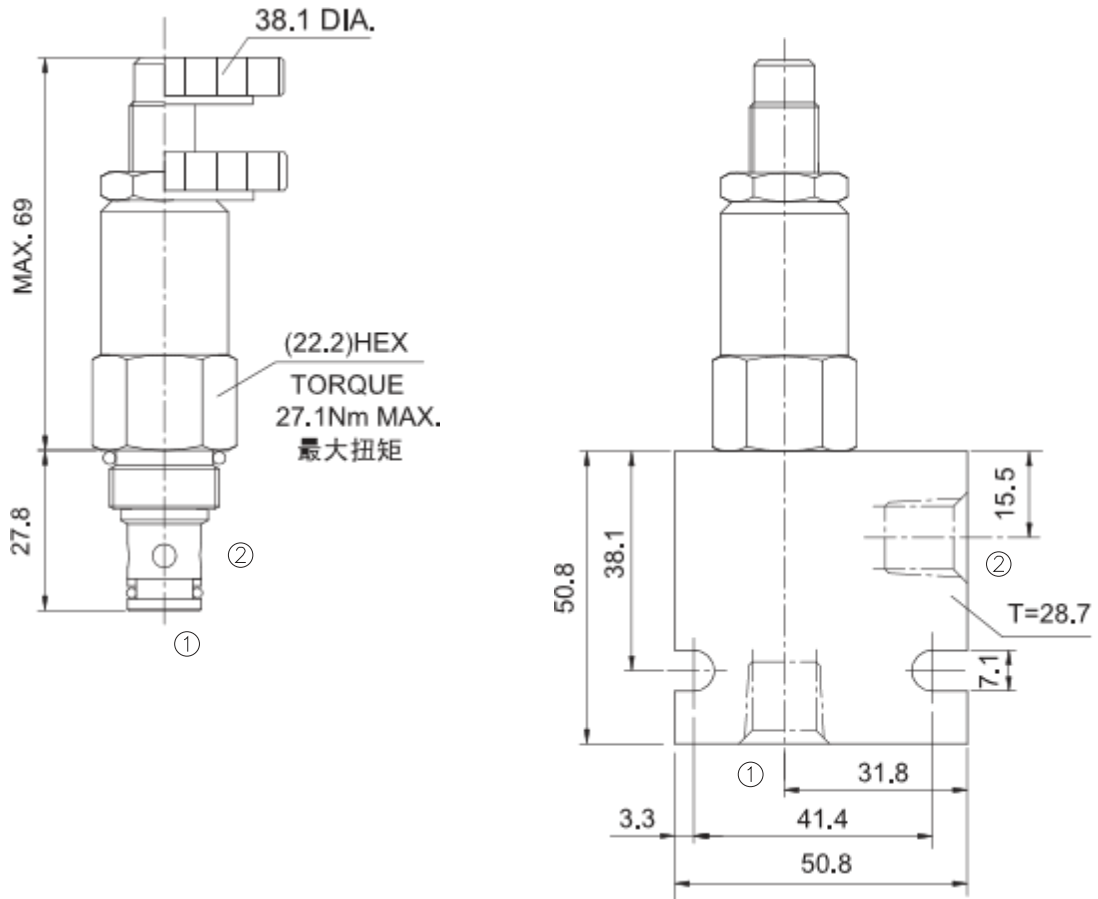
Body Material (阀块材料) : Anodized 6061T6 aluminum alloy rated at 207 Bar.

6061-T6, 允许使用最大压力207Bar.

PRESSURE DROP VS. FLOW



INSTALLATION DIMENSIONS



Unit=Millimeters

TO ORDER

LADRV2 - 08- ** - * /**** - **

Adjustable, Direct-Acting
Cartridge Relief Valve
直动式溢流阀

CAVITY 插孔

Spring Range 弹簧调压范围

5=58-507PSI(4-35BAR) PRESET:246PSI(17BAR)
 11=101-1100PSI(7-76BAR) PRESET:550PSI(38BAR)
 23=246-2300PSI(17-159BAR) PRESET:1145PSI(79BAR)
 37=246-3770PSI(17-260BAR) PRESET:1790PSI(124BAR)

BODY PORTING 阀块油口
 3N=3/8PTF
 4T=SAE4
 6T=SAE6
 Other Porting is Available
 其它螺纹油口也是可选择的
 (Omit for Cartridge only
 省略为不带阀块)

SETTING IN BAR 设定压力 (BAR)
 EXAMPLE: 0200=200BAR
 (Omit for standard)省略为标准

K 1-1/2' Dia. Knob
 调节手轮
 (Omit for 1/4' Hex Allen head)
 内六角调节杆