



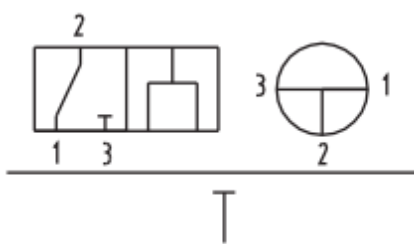
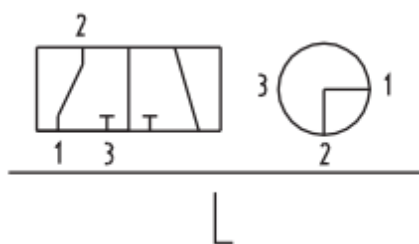
TIMALCO

HYDRAULICS

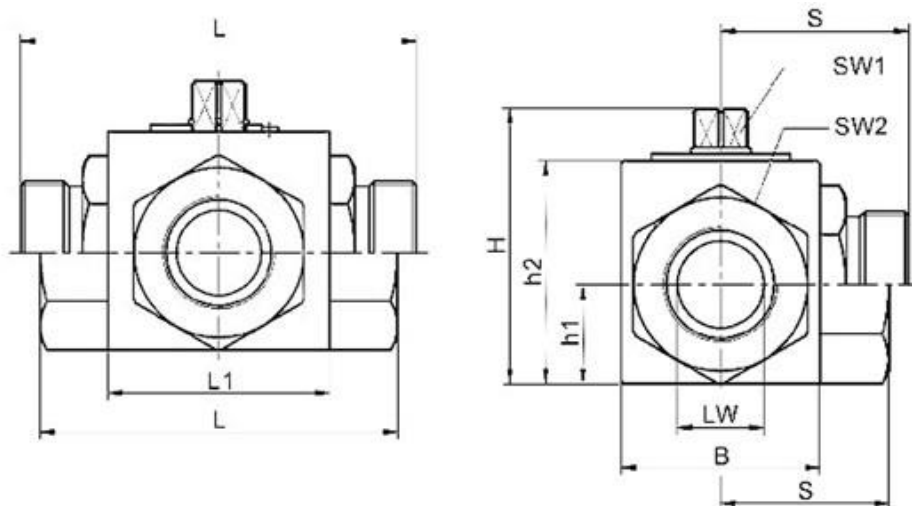


KHB3K

Two position Three-way High Pressure Ball Valve



Dimensions



Part Number	Max Flow L/min	Max Pressure Bar	DN	LW	D1	I	L	L1	B	H	H1	H2	SW1	SW2
KHB3K-G14	15	500	06	06	G 1/4	14	69	40	26	45	13.5	33	09	22
KHB3K-G38	30	500	10	10	G 3/8	14	72	42	32	49	16	36	09	27
KHB3K-G12	60	500	13	12	G 1/2	14	83	47	35	49	18	38	09	30
KHB3K-G34	80	400	20	20	G 3/4	18	95	60	48	70	25	55	12	41
KHB3K-G1	125	350	25	25	G 1	21	113	65	57	79	28.5	64	12	50