



TIMALCO

HYDRAULICS

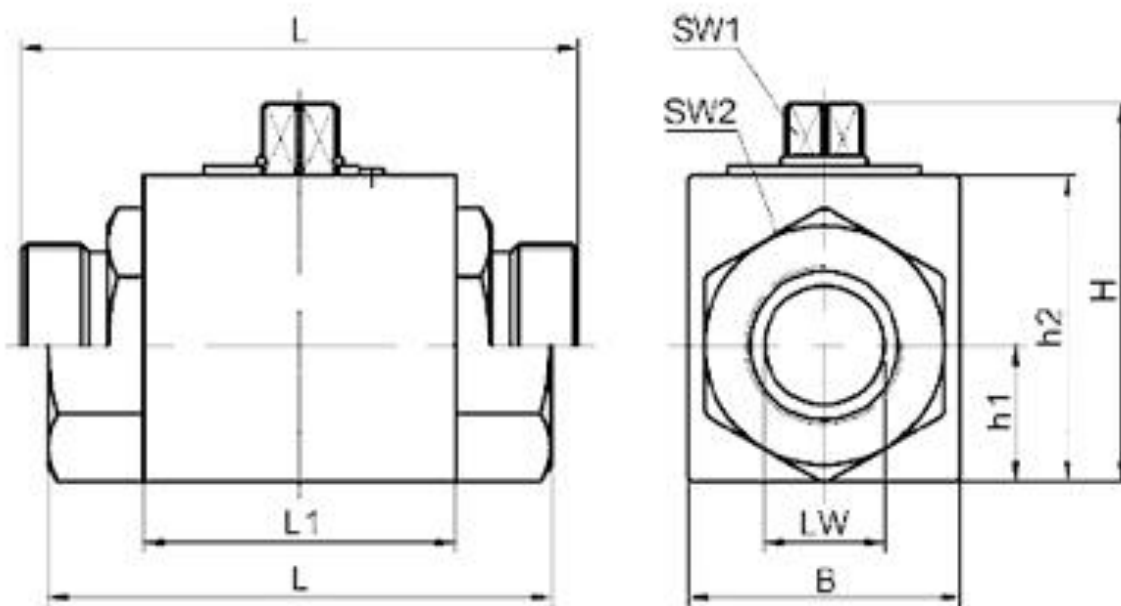


KHB

Series High Pressure Ball Valve



Dimensions



| Part Number | Max Flow L/min | Max Pressure Bar | DN | LW | D1 | I | L | L1 | B | H | H1 | H2 | SW1 | SW2 |
|-------------|----------------|------------------|----|----|--------|----|-----|----|----|-----|------|----|-----|-----|
| KHB-G14 | 15 | 500 | 06 | 06 | G1/4 | 14 | 69 | 40 | 26 | 45 | 13.5 | 33 | 09 | 22 |
| KHB-G38 | 30 | 500 | 10 | 10 | G3/8 | 14 | 72 | 42 | 32 | 49 | 16 | 36 | 09 | 27 |
| KHB-G12 | 60 | 500 | 13 | 12 | G1/2 | 14 | 83 | 47 | 35 | 49 | 18 | 38 | 09 | 30 |
| KHB-G34 | 80 | 315 | 20 | 20 | G3/4 | 17 | 95 | 60 | 48 | 70 | 25 | 55 | 12 | 41 |
| KHB-G1 | 125 | 315 | 25 | 25 | G1 | 21 | 113 | 65 | 57 | 79 | 28.5 | 64 | 12 | 50 |
| KHB-G114 | 125 | 315 | 32 | 32 | G1 1/4 | 22 | 110 | 84 | 75 | 101 | 37.5 | 84 | 14 | 60 |
| KHB-G112 | 125 | 315 | 40 | 38 | G1 1/2 | 24 | 130 | 91 | 85 | 112 | 42.5 | 95 | 14 | 70 |